



**Product Overview**

The AX-ANA-LCK-xxx is an Analytical sensor for the measurement the Conductivity of a liquid and convert the input signal to 4-20mA. They are suitable for measuring clean, non crystallisable liquids. Two probes are immersed into the measured liquid. The distance between the probes and their surface define the cell constant (K) of the instrument. The cell constant defines the measuring range and thus the application area.

**APPLICATIONS:**

- Water production
- Water processing
- Water purification
- Waste water treatment
- Pharmaceutical industry
- Food & Beverage industry

**Features**

- 3 Measuring Ranges
- Optional plug in display
- 4-20mA, Hart output
- Variety of probes available

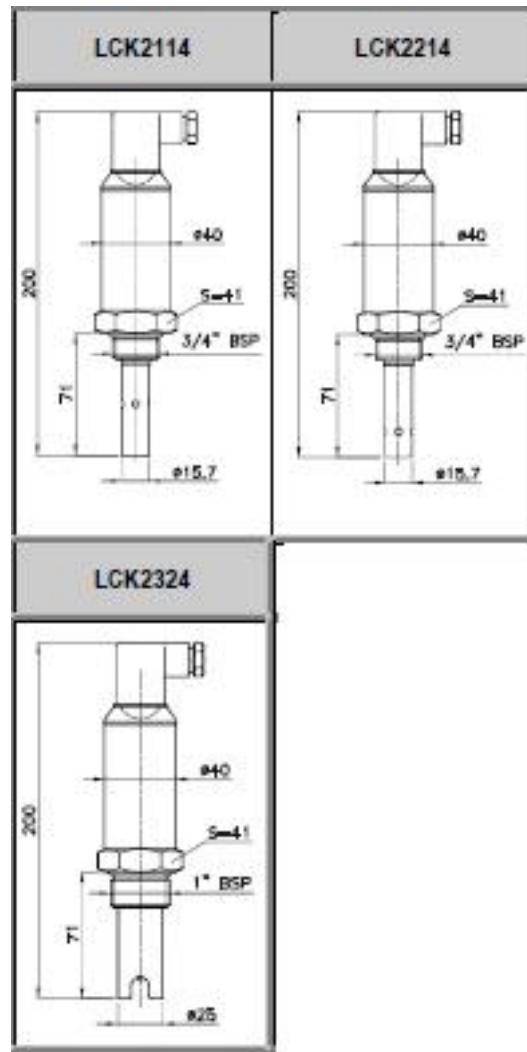
**Technical Specification**

<b>Measuring Range</b>	1us/cm to 20us/cm, 10 to 200us/cm, 100 to 2000us/cm
<b>Measurement error</b>	Typically 3% +/- 1 digit max 5%
<b>Measuring Rate</b>	300msec, on the display (refreshing rate) 1 sec
<b>Process Temperature</b>	-10 to +70 degC
<b>Power Supply</b>	12 to 36Vdc 720mW galvanically isolated, protected against surge transients
<b>Probes</b>	Min Conductivity / Max Conductivity
<b>LCK-212-X</b>	1 uS/cm      20 uS/cm
<b>LCK-222-X</b>	10 uS/cm     200 uS/cm
<b>LCK-232-X</b>	100 uS/cm    2000 uS/cm
<b>Output</b>	<b>LCK-2x2-2</b> 4-20mA
	<b>LCK-2x2-4</b> HART & 4-20mA
<b>Display (option)</b>	PLK-501-2      Plug inDisplay
<b>Weatherproof Rating</b>	IP68 probe IP65 housing
<b>Process Pressure</b>	0-16bar
<b>Materials</b>	Housing      Stainless steel
<b>Process Connection</b>	1 " BSP    3/4" BSP option at additional cost
<b>Electromagnetic Compatability</b>	EN61326 Class B
<b>Country of Origin</b>	EU

**Order Codes** (specify probes and output)

AX-ANA-LCK-212-2	Conductivity sensor 1 to 20 us/cm 4-20mA o/p	1" BSP
AX-ANA-LCK-222-2	Conductivity sensor 10 to 200 us/cm 4-20mA o/p	1" BSP
AX-ANA-LCK-232-2	Conductivity sensor 100 to 2000 us/cm 4-20mA o/p	1" BSP
AX-ANA-PLK-501-2	Plug in Indicator	
-4	Hart & 4-20mA output	

Dimensions



Wiring

