

# AX-ANA-LPR-xxx

Analytical Sensor -Redox Potential (ORP)



## Product Overview

The AX-ANA-LPR-xxx is an Analytical sensor for the measurement of Redox potential in liquids. Oxidation or reduction occurs on the platinum surface of the probes. The potential difference between the submerged and reference probes generates a voltage proportional to the sum of oxidants and reducers in the measured fluid. There is the option of a relay and / or an LCD Display module.

## APPLICATIONS:

Water quality monitoring  
Water production, Waste water treatment  
Pharmaceutical industry  
Food & Beverage industry

## Features

- Measuring Range +/- 1000mV
- Easy to set-up
- Mounted on the top of a tank
- Variety of probes available

## Technical Specification

<b>Measuring Range</b>	+/- 1000mV	Reserve +/-200mV
<b>Resolution</b>	0.1mV (internal resolution 0.8mV)	
<b>Linearity</b>	+/- 0.001%	
<b>Accuracy</b>	0.1% of the measured value +/- 1 digit +/- 0.01% /Deg C	
<b>Measuring Rate</b>	300msec, on the display (refreshing rate) 1 sec	
<b>Process Temperature</b>	-50 to +100 degC (semi-conductive sensor)	
<b>Power Supply</b>	12 to 36Vdc 720mW galvanically isolated, protected against surge transients	
<b>Probes</b>	Min Conductivity / Max Pressure	/ Max Temp / Medium
LPR-111-X	50 µS/cm 6 bar	80 C with solid particles
LPR-121-X	500 µS/cm 6bar@25C	100C with solid particles
LPR-131-X	150 µS/cm 0.5bar	60C clear liquid
LPR-141-X	150 µS/cm 3bar	60C clear liquid
LPR-151-X	150 µS/cm 6bar	80C clear liquid
LPR-161-X	150 µS/cm 3bar	60C clear liquid horizontally mountable
<b>Output</b>	LPR-1X1-4	HART & 4-20mA
	LPR-1X1-8	HART & 4-20mA EeX
	LPR-1X1-H	HART & 4-20mA & 1 x SPDT 1A@30Vdc
<b>Display (option)</b>	SAP300 Full featured programming LCD Display	
<b>Intrinsically Safe Class</b>	ATEX II 1 G Exia B T6 Ga	
<b>Cable Length</b>	5m provided	
<b>Weatherproof Rating</b>	IP68	
<b>Materials</b>	Housing Plastic	
<b>Process Connection</b>	1 1/2" BSP Polypropylene as standard ( PVDF option at additional cost) NPT option	
<b>Electromagnetic Compatibility</b>	EN61326 Class B	
<b>Country of Origin</b>	EU	

## Order Codes (specify probes and output)

AX-ANA-LPR-1x1-4	Analytical ORP Sensor with HART & 4-20mA o/p	1 1/2" BSP
AX-ANA-LPR-1x1-6	Analytical ORP Sensor with HART & 4-20mA o/p EeX	1 1/2" BSP
AX-ANA-LPR-1x1-H	Analytical ORP Sensor with HART & 4-20mA & Relay o/p	1 1/2" BSP
-LCD	SAP 300 LCD Display & Programming Module	
AX-ANA-LPR-CAL	Cleaning & Calibration Kit for ORP sebsnor	

AX-ANA-LPR - Issue 1.0 - Date 20/12/2013

Page 1 of 2

Unit 21, Highview, High Street, Bordon, Hampshire. GU35 0AX.

Tel: +44 (0)1420 487788 Fax: +44 (0)1420 487799

Email: sales@axio.co.uk

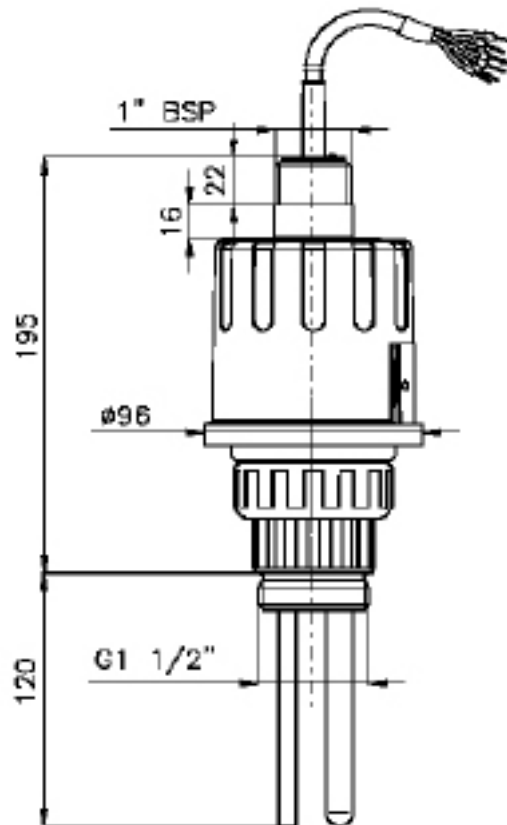
www.axio.co.uk

# AX-ANA-LPR-xxx

Analytical Sensor -Redox Potential (ORP)



## Dimensions



## Electrodes

