



Product overview

The Axio AX-CDFC is a microprocessor based temperature controller with a two line LCD display. The unit controls the free cooling air supply over a set point range of 15 to 25°C when the outside air is below the free cooling temperature, adjustable between 10 to 0°C. The unit provides proportional control above the set-point, and also provides an interlock signal to prevent compressor operation when free cooling is active. The minimum and maximum temperatures values are stored for display via the menu. The AX-CDFC is provided in a DIN rail carrier and is 24Vac/dc powered.

Features

- Analogue output provides proportional damper control
- Adjustable set point, 15 to 25°C
- LCD display of temperature, min, max etc
- Adjustable free cooling point, 10 to 0°C
- 24Vac/dc powered
- DIN rail carrier as standard

Product specifications

Power Supply	24Vac \pm 10% 150mA maximum or 24Vdc \pm 10% 80mA maximum
Inputs	Internal and external sensors, 10K3A1 (See Axio temperature sensor range)
Outputs	0-10Vdc at 10mA maximum
LCD Display	2 lines by 8 characters
Proportional band	2°C at outside temperature of 5°C increasing to 10°C at outside temperature of -30°C
Setpoint	15 to 25°C
Free cooling point	10 to 0°C
Relay output	SPDT relay rated 6A @ 230Vac resistive load
Terminals	Rising clamp for 0.5-2.5mm ² cable
Dimensions & Weight	68(W) x 82(H) x 55(D) mm / 95gms
Ambient temperature range	0 to 50°C
Country of origin	United Kingdom

Order codes

AX-CDFC Damper Controller for Free Cooling

Order online at:

www.annicom.com

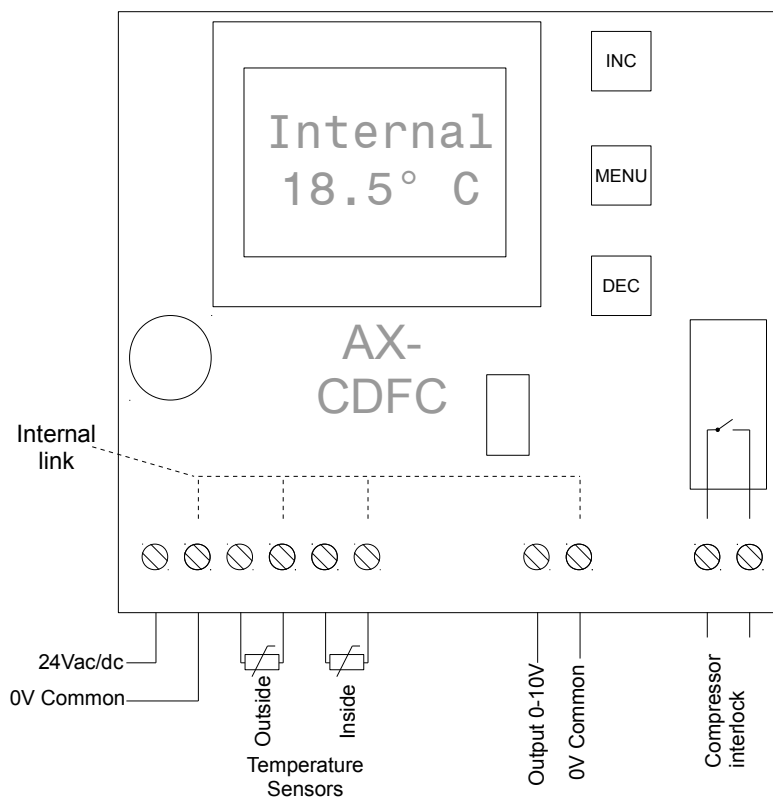
Email orders and enquiries to:

sales@annicom.com

Installation

The AX-CDFC should be installed by a suitably qualified technician in conjunction with any guidelines for the equipment it is to be connected to. Field wiring should be installed to satisfy the requirements set out by the manufacturer of the equipment that the module is being connected to.

Description and Connections



Menu

Repeatedly press **MENU** to scroll through the Internal temperature, External temperature, Setpoint, Free cooling point and Min/Max values displays. When the setpoint or free cooling point are displayed press **INC** or **DEC** to adjust.

Minimum and maximum temperature

The minimum and maximum sensor temperature values are stored by the AX-CDFC until power is removed. Press **MENU** to scroll through as above. When the Min/Max values are displayed press **INC** and hold down for 2 seconds to reset the minimum and maximum values.

Proportional Band

The proportional band increases from 2°C at an outside temperature of 5°C to 10°C at an outside temperature of -30°C.

Back-light

The back-light on the LCD display switches on when any of the buttons are pressed and remains on for 10 seconds after the last button has been pressed. The back-light will switch off if it has been continuously on for 2 minutes.

Fault indication

If the sensors are open or short circuit the display will show a fault message and the back-light will flash.

Compressor interlock

Relay contacts open when free cooling is active.