



Product Overview

The Axio AX-CSM provides 2, 3 or 4 buffered 4-20mA current outputs from one analogue input. The module also provides a 24Vdc connection for loop power applications. The AX-CSM is powered by 24Vac or 24Vdc. The module is supplied in a DIN rail carrier for mounting on TS35 section DIN rail and features high quality rising clamp terminals for ease of connection.

Features

- Voltage or Current input (link selectable)
- 2, 3 or 4 x 4-20mA current outputs
- 24Vdc output to power a signal loop
- 24Vac or 24Vdc powered
- High quality rising clamp terminals
- DIN rail carrier as standard (TS35 DIN rail)

Product Specifications

Input Signal - Select From	0-5Vdc, 0-10Vdc, 2-10Vdc, at 1.0mA max. or 0-10mA, 0-20mA, 4-20mA		
Power Supply	24Vac \pm 15% or 24Vdc \pm 10%		
Supply Output Loop Power	24Vdc nominal at 30mA max. (Self-reset fused). Rises to 37Vdc max. On 24Vac Supply		
Output Signals Load	500 Ω load max.		
Output Signals	AX-CSM-2 2 x 4-20mA	AX-CSM-3 3 x 4-20mA	AX-CSM-4 4 x 4-20mA
Power Supply Current	24Vac supply 120mA max. 24Vdc supply 60mA max.	24Vac supply 140mA max. 24Vdc supply 80mA max.	24Vac supply 160mA max. 24Vdc supply 100mA max.
Dimensions	67(W) x 82(H) x 43(D)mm	90(W) x 82(H) x 43(D)mm	115(W) x 82(H) x 43(D)mm
Weight	65gms	80gms	100gms
Terminals	Rising clamp for 0.5-2.5mm ² cable		
Ambient Temperature Range	0°C to 50°C		
Country of Origin	United Kingdom		

Order Codes

AX-CSM-2	Current Splitter Module Analogue to 2 x 4-20mA module
AX-CSM-3	Current Splitter Module Analogue to 3 x 4-20mA module
AX-CSM-4	Current Splitter Module Analogue to 4 x 4-20mA module

© Copyright Annicom. All Rights Reserved

Annicom Ltd

Unit 21, Highview, Bordon, Hampshire. GU35 0AX

Tel: +44 (0)1420 487788 Fax: +44 (0)1420 487799

Email: sales@annicom.com Website: www.annicom.com

AX-CSM

Current Splitter Module - Analogue to 2, 3 or 4 x 4-20mA



Installation

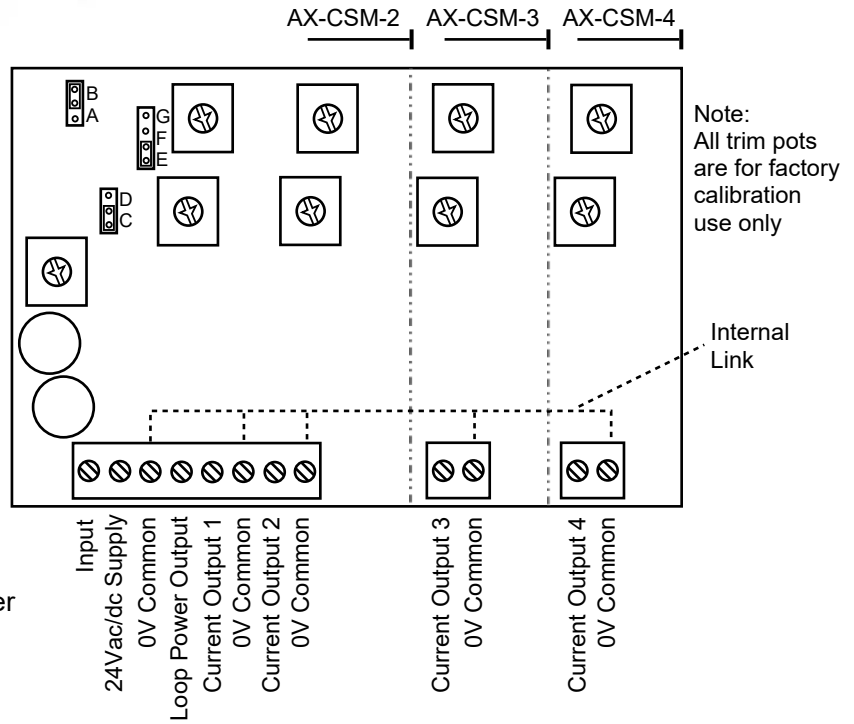
The AX-CSM should be installed by a suitably qualified technician in conjunction with any guidelines for the equipment it is to be connected to and any local regulations. Field wiring should be installed to satisfy the requirements set out by the manufacturer of the equipment that the module is being connected to.

Description and Connections

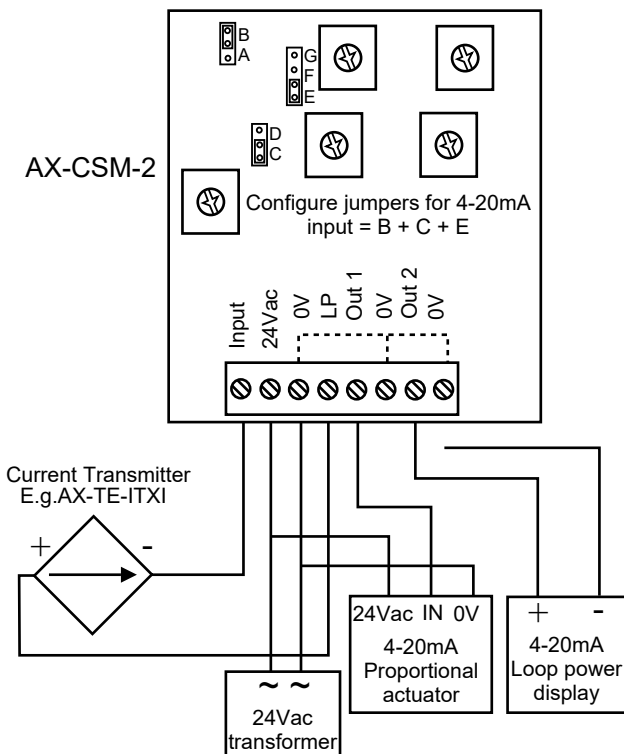
Input selection

Configure the 3 input jumpers for the correct input type before applying power to the module - see table below

Voltage input	
0-5V	A + D + G
0-10V	A + D + F
2-10V	A + C + E
Current input	
0-10mA	B + D + G
0-20mA	B + D + F
4-20mA	B + C + E



Example connections for an AX-CSM-2 on 24Vac supply, providing loop power to a current transmitter



Every effort has been taken in the production of this data sheet to ensure accuracy. Axio do not accept responsibility for any damage, expense, injury, loss or consequential loss resulting from any errors or omissions. Axio has a policy of continuous improvement and reserves the right to change this specification without notice.