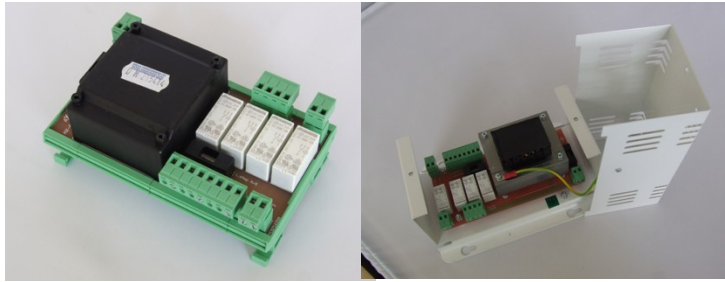


# AX-FRM3+1-TX25

Fan Speed Relay Module + Additional relay with 24Vac Transformer



## Product overview

The AX-FRM3+1-TX25 incorporates three interlocked relays, an additional independent relay, and a transformer in either a DIN rail mounting or an IP55 enclosure. It is intended for use with 24Vac powered thermostats to provide interlocked fan speed switching with an additional auxiliary output to switch a cooling valve.

The unit can be used to change fan speeds on fan motors with multi-tapped windings and also transformer speed controlled motors. The 'break before make' design of the relay contact configuration and common switching point ensure that only one set of contacts is active at any one time, thus preventing short circuits. The three fan relays are powered by the transformer and switched with volt-free contacts. Two pairs of 24Vac outputs are also provided.

## Features

- Interlocked relays allow only one output on at a time
- 230 to 24Vac transformer
- DIN rail or IP55 enclosure variants
- Switches up to 12 Amps resistive

## Product specifications

Inputs	Power	230Vac 50/60Hz
	Digital for relays	4 volt free contacts with a common (3 are interlocked, 1 isolated 24Vac coil)
Outputs	Fan speed	Common and 3 volt-free contact switched outputs
	Additional relay	Normally open contact
	Output supply	Two pairs of 24Vac terminals. Typical regulation 25%. 25VA as standard
Contact rating of all relays		12A @250Vac resistive (inductive current depends on load - typically 5A Inductive)
Terminals		Rising Clamp for 0.5-2.5mm <sup>2</sup> Cable
Fusing	input	1.6Amps slow blow
	output	1.6Amps slow blow
Ambient Temperature		0°C to 50°C
Dimensions - Enclosed version		164mm x 119mm x 77mm height 1450 gms
	- DIN Rail mounted	135mm x 83mm x 58mm height 645 gms
Housing - Enclosed version		Zintec
	- DIN Rail version	IP55 flame retardant ABS
Country of origin:		United Kingdom

## Order codes

AX-FRM3+1-TX25	Fan Speed Relay Module + Additional Relay with 24Vac transformer 25VA – DIN rail mounted	Order online at: www.annicom.com
AX-FRM3+1-TX25E	Fan Speed Relay Module + Additional Relay with 24Vac transformer 25VA – Enclosure mounted	Email orders and enquiries to: sales@annicom.com



# AX-FRM3+1-TX25

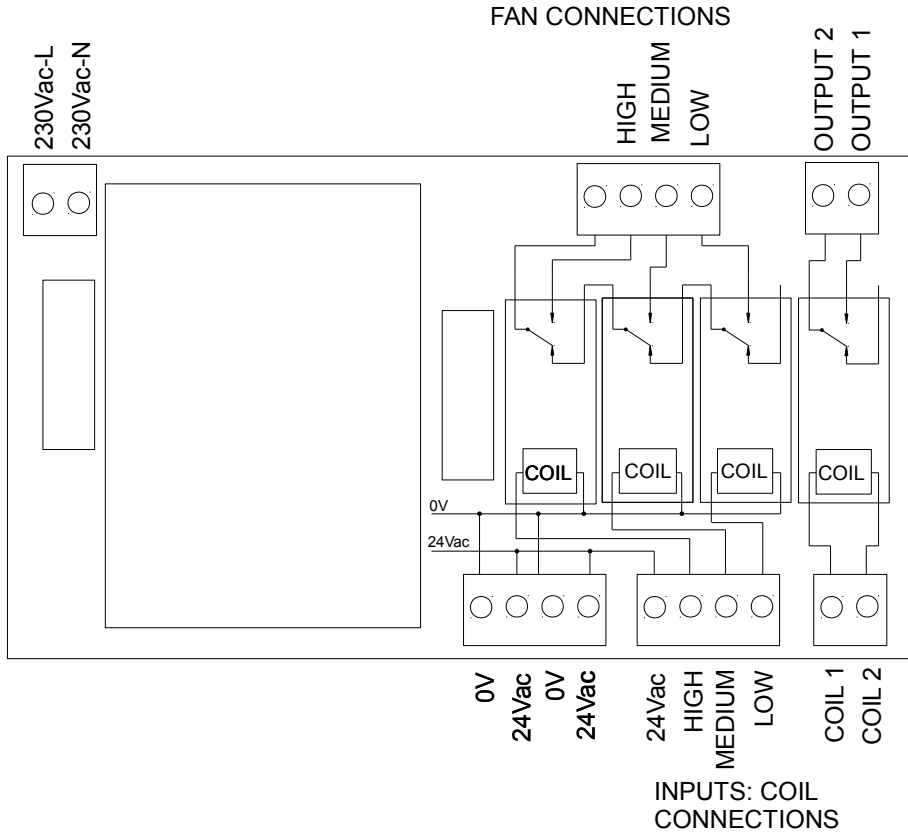
Fan Speed Relay Module + Additional relay with 24Vac Transformer



## Installation

The AX-FRM3+1-TX25 should be installed by a suitably qualified technician in conjunction with any guidelines for the equipment it is to be connected to and any local regulations. Field wiring should be installed to satisfy the requirements set out by the manufacturer of the equipment that the module is being connected to.

## Operation and connections

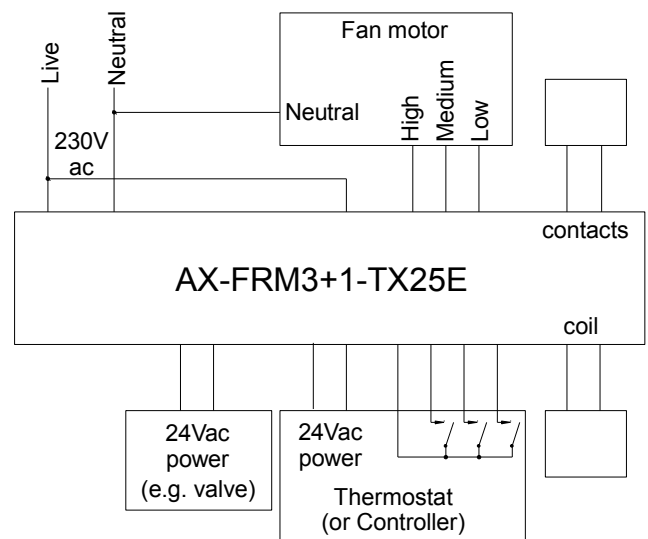


If more than one fan speed is selected, the highest fan speed will have precedence.

Connections for a fan motor with multi-tapped windings:  
Connect the 'Output Common' terminal to the live supply, and then connect the fan windings to the relevant Output Low, Medium and High terminals.

Connections for a transformer based speed control:  
Connect the transformer windings to the relevant Output Low, Medium and High terminals and connect the 'Output Common' terminal to the fan live supply.

Example connections



Every effort has been taken in the production of this data sheet to ensure accuracy. Axio do not accept responsibility for any damage, expense, injury, loss or consequential loss resulting from any errors or omissions. Axio has a policy of continuous improvement and reserves the right to change this specification without notice.