

AX-LCD-2

Dual LCD Display on Single Gang Plate

AXIO



Product Overview

The AX-LCD-2 range of units feature a high-contrast, blue backlit liquid crystal display with white text. Various options are available such that the 0-10V / 4-20 mA input can be used to display a variety of ranges and units of measurement.. The displays fit into a standard single gang back-box.

Features

- Blue LCD Display with 19mm character height
- 0-10V / 4-20mA input range
- Fits standard single gang back box
- 24Vac or 24Vdc supply

Product Specifications

Power Supply	24Vac/24Vdc ($\pm 10\%$) at 30mA
Input	0-10Vdc, 1mA maximum or 4-20mA
Display	Blue LCD Display with 19mm character height
Enclosure	Single gang white Thermosetting Plastic
Terminals	Plug and socket rising clamp terminals for 0.5-1.5mm ² cable
Weight & Dimensions	95gms, 85 x 85 x 35mm (approx)
Required Backbox Depth	25mm
Ambient Temperature	0°C to 60°C
Country of Origin	United Kingdom

Order Codes

AX-LCD-2 Dual LCD display 24V supply

© Copyright Annicom. All Rights Reserved

AX-LCD-2

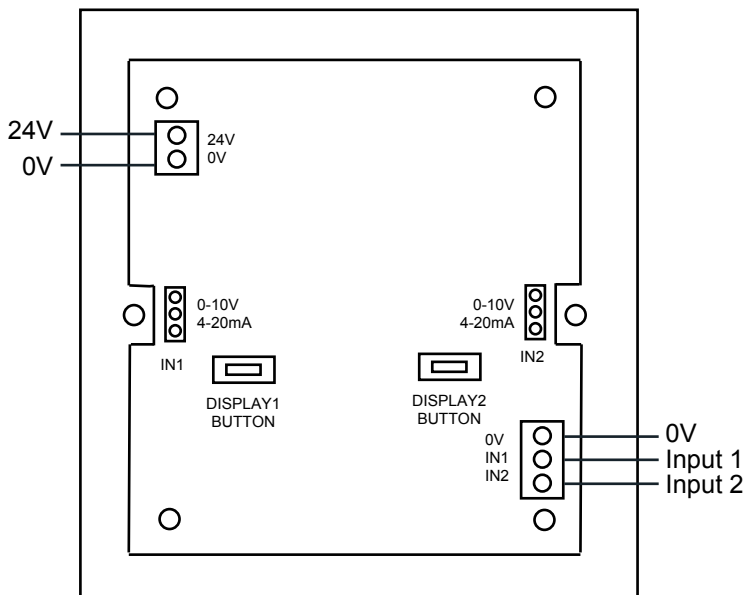
Dual LCD Display on Single Gang Plate



Installation

The AX-LCD-2 should be installed by a suitably qualified technician in conjunction with any guidelines for the equipment it is to be connected to and any local regulations. Field wiring should be installed to satisfy the requirements set out by the manufacturer of the equipment that the module is being connected to.

Connections



Input selection

Place IN1 and IN2 jumpers in 0-10V or 4-20mA position as required. The 0-10V or 4-20mA input is scaled over selected range.

Menu

Press and hold Display 1 or Display 2 button for 4 seconds, display shows all symbols followed by selected symbol

Repeatedly press button until required symbol is shown

Available symbols

°C / Pa / % / RH / %RH / V / non (No symbol)

Press and hold button for 2 seconds

Display shows selected range ie 07 then toggles between low value and high value

Repeatedly press button until required range is shown

Available ranges

01 0 to 100	11 0.0 to 70.0
02 0 to 200	12 0.0 to 99.9
03 0 to 300	13 -10 to 40
04 0 to 400	14 -10 to 50
05 0 to 500	15 -20 to 50
06 0 to 999	16 -25 to 25
07 0.0 to 10.0	17 -40 to 60
08 0.0 to 30.0	18 -50 to 50
09 0.0 to 40.0	19 -99 to 99
10 0.0 to 50.0	20 -9.9 to 40.0

Press and hold button for 2 seconds to return to symbols

Press and hold button for 4 seconds to save, display shows St and resets

Datasheet Contents

Every effort has been taken in the production of this data sheet to ensure accuracy. Annicom do not accept responsibility for any damage, expense, injury, loss or consequential loss resulting from any errors or omissions. Annicom has a policy of continuous improvement and reserves the right to change this specification without notice.