



Product Overview

The AX-LS-FL-M Float Switch is a control device for charging and discharging pumps, motor and magnetic valves. It also generate alarm that alerts the user at defined surface levels. The unit consists of a float which is suspended from a PVC cable. As the liquid levels change, the float follows the surface level at the same time tilting due to its weighted restraint, inside the float are a number of microswitches which trigger as the float tips. Suitable for a wide range of non-flammable liquids.

Products Features

- Easy Installation
- Alarm, filling, emptying and combined variants
- 250 Volts Switching
- Standard 5m cable length (10m option)
- Suitable for a wide range of liquids
- 99mm Float Diameter

Product Specifications

| | |
|----------------------------|--|
| Standard Cable Length: | 5 Metre (Optional 10Meter & Other Lengths Available) |
| Pressure Rating: | 200 kPa |
| Switching Element: | Microswitch |
| Contact Ratings: | 6A @6-250Vac |
| Maximum DC Power: | 75 VA (=0,3A, 250V) |
| Materials: | Float: Polypropylene (PP) Cable: PVC Standard (Optional Rubber, TPU, Teflon, Silicone) |
| Buoyancy: | 2 N |
| Protection Class: | IP67 |
| Ambient Temperature Range: | 0 to +55 Deg C |
| Max Diameter of Float: | 76mm |
| Max Length of Float: | 130mm |
| Country of Origin: | Finland |

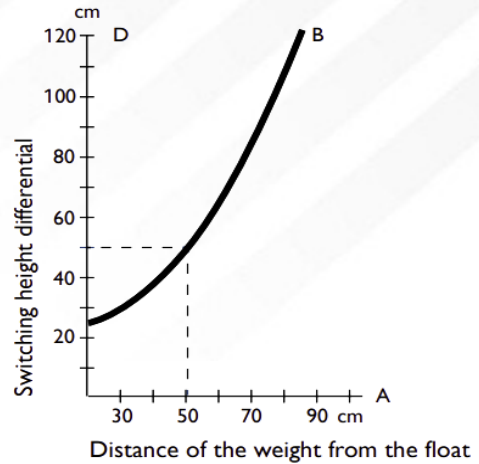
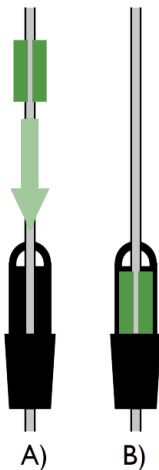
Product Order Codes

| | |
|--------------|---|
| AX-LS-FL-1LM | Liquid Level Float Switch, Low level alarm-76mm |
| AX-LS-FL-1HM | Liquid Level Float Switch, High level alarm-76mm |
| AX-LS-FL-2LM | Liquid Level Float Switch, Filling pump control-76mm |
| AX-LS-FL-2HM | Liquid Level Float Switch, Emptying pump control-76mm |

Installation

The AX-LS-FL-M series of float switches should be installed by a suitably qualified technician in accordance with any guidelines for the device and the equipment which it is to be connected to. Field wiring should be installed to satisfy the requirements set out by the manufacturer of the equipment being connected to. As a general rule screened cable should be used to connect signal to a BMS or other controller.

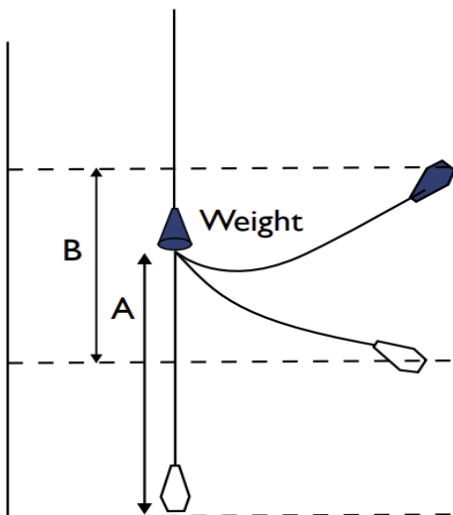
Ensure that all power is disconnected before carrying out any work on the float switches.



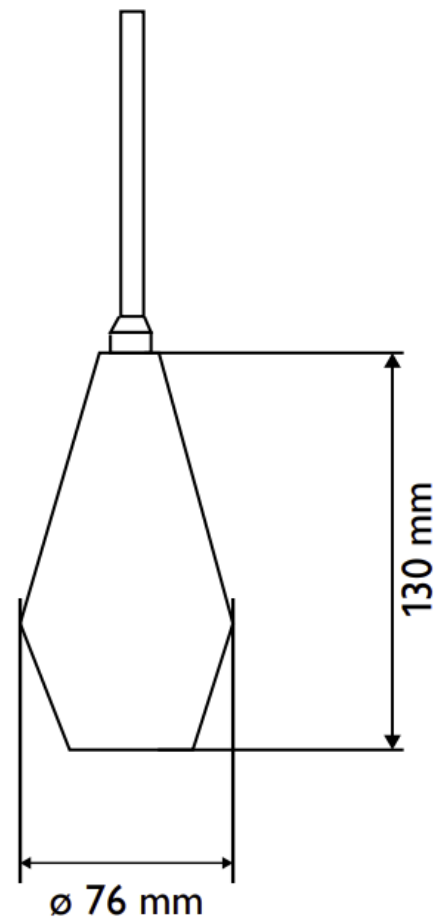
The switching height differential is adjusted to the required level by means of the cable weight. Curve B shows the start and stop-height differential of the Float Switch in relation to the distance of the weight from the float.

Dimensions

Cable weights and the hanging loop are fixed to the cable with a clamp wedge. The Float Switch is mounted to hang from its own cable. It floats on the surface of the liquid and follows the movement of the liquid's surface. Functions are controlled in the various tilt angles of the float. The switching distance differential is adjusted by moving the weight along the cable.

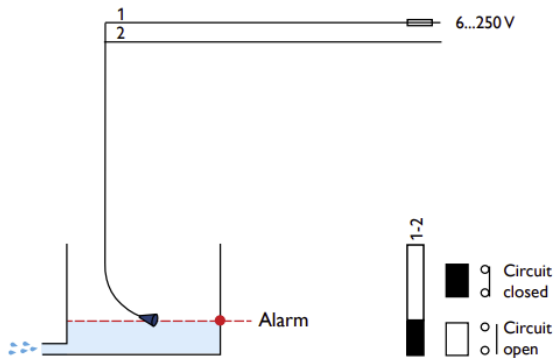


The height at which the float hangs and the distance of the cable weight from the float can be adjusted. The differential between the start and stop levels is at its lowest when the cable weight is about 10 cm from the tip of the float's strain-relief

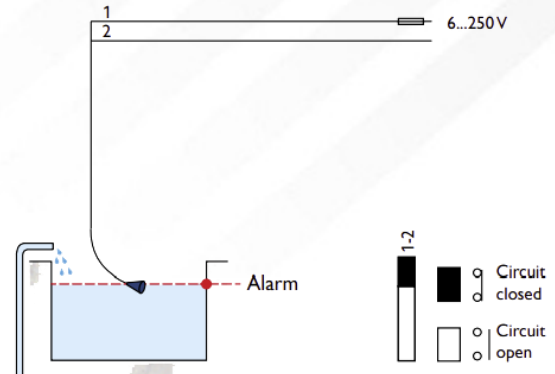


Connections

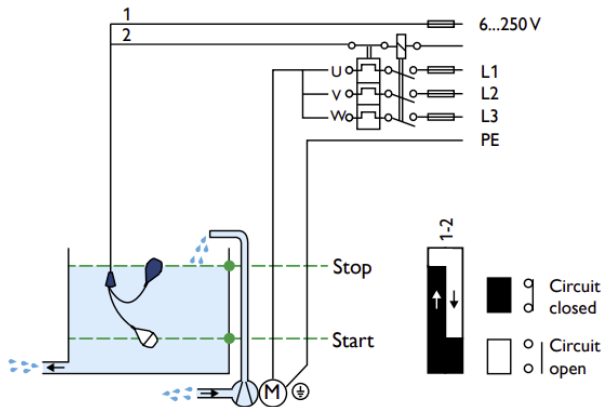
AX-LS-FL-1LM



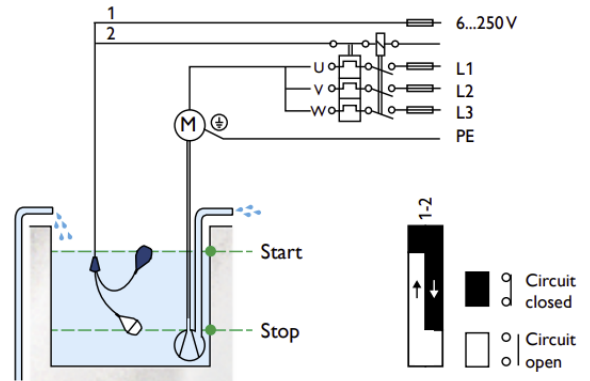
AX-LS-FL-1HM



AX-LS-FL-2LM



AX-LS-FL-2HM



Datasheet Contents

Every effort has been taken in the production of this datasheet to ensure accuracy. Annicom Ltd does not accept responsibility for any damage, expense, injury, loss or consequential loss resulting from any errors or omissions. Annicom Ltd has a policy of continuous improvement and reserves the right to change this specification without notice.