

Product Overview

The AX-LSPS-P series offers precise monitoring of flow failures in pumps, chillers, and valves. With adjustable setpoints and differentials, these switches are compatible with fluorinated refrigerants, air, and liquids (-20°C to 120°C) and operate reliably in ambient temperatures from -20°C to 70°C.



Products Features

- Adjustable setpoints and differential.
- Operatable Temperature -20 to 120°C.
- Mounting brackets included for easy mounting.
- Compatible with fluorinated refrigerants, air, and liquids.
- Ambient working temperature: -20°C to 70°C.
- CE Approved.

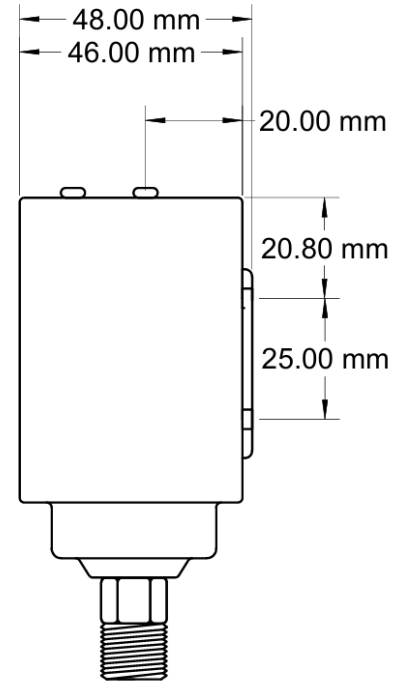
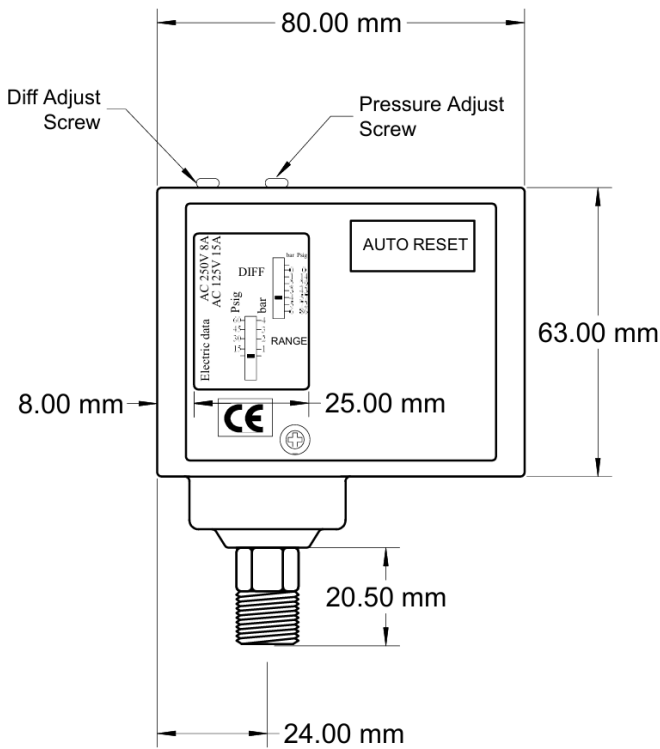
Product Specifications

Range:	-0.5 to 30 Bar
Pressure Connections:	1/4" BSP
Max Pressure:	16.5 Bar for units range ≤ 10 Bar, 33 Bar for unit range ≤ 30 Bar
Electrical Connection:	Screw Terminals - max conductor size 1.5mm ²
Switch Rating:	Non Inductive Current: 10Amp @ 250Vac Inductive Current (Full Load): 8Amp @ 250Vac Inductive Current (Locked Rotor): 72Amp @ 250Vac
Weight:	0.42 Kg
Ambient Temperature:	-20°C to 70°C
Media Temperature:	-20°C to 120°C
Protection Class:	IP33
Marking:	CE Approved (According to Low Voltage Directive)
Material:	Fitting: Nickel Plated Brass Wetted Parts: Nickel Plated Brass Switch Back Plate: Zinc plated mild steel Housing Cover: Plastic
Country of Origin:	China

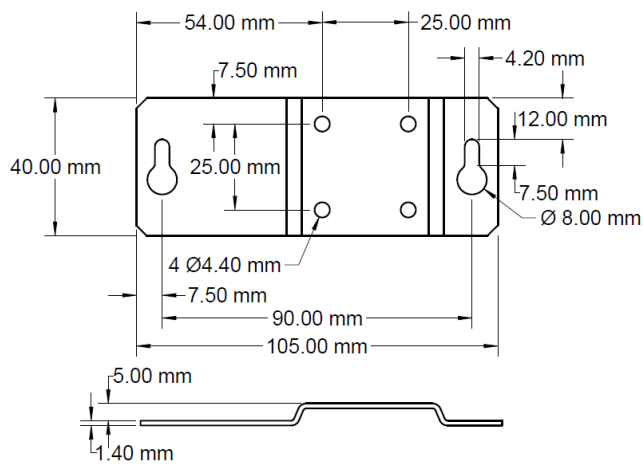
Product Order Codes

Order Code	Description	Differential (Bar)		Factory Settings (Bar)	
		Minimum	Maximum	Off	On
AX-LSPS-P3	Liquid Static Pressure Switch -0.5 to 3 Bar, Adjustable Hysteresis	0.35	1.5	2	1
AX-LSPS-P6	Liquid Static Pressure Switch -0.5 to 6 Bar, Adjustable Hysteresis	0.6	4	3	2
AX-LSPS-P6M	Liquid Static Pressure Switch -0.5 to 6 Bar, Fixed Hysteresis	≤1		3	Manual Reset
AX-LSPS-P10	Liquid Static Pressure Switch 1 to 10 Bar, Adjustable Hysteresis	1	3	6	5
AX-LSPS-P16	Liquid Static Pressure Switch 5 to 16 Bar, Adjustable Hysteresis	1	4	10	8
AX-LSPS-P20	Liquid Static Pressure Switch 5 to 20 Bar, Adjustable Hysteresis	2	5	16	3
AX-LSPS-P30D	Liquid Static Pressure Switch 5 to 30 Bar, Adjustable Hysteresis	3	10	20	15
AX-LSPS-P30	Liquid Static Pressure Switch 6 to 30 Bar, Fixed Hysteresis	3-5(Fixed)		20	15-17
AX-LSPS-P30M	Liquid Static Pressure Switch 6 to 30 Bar, Fixed Hysteresis	≤5		20	Manual Reset

Dimensions

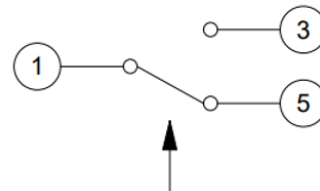


Mounting Bracket



Electrical Connection

1	Common Terminal
3	Close on, Pressure Increase
5	Close On, Pressure Decrease



↑ Operating direction on press Increase at High Press. Side

Datasheet Contents

Every effort has been taken in the production of this data sheet to ensure accuracy. Annicom do not accept responsibility for any damage, expense, injury, loss or consequential loss resulting from any errors or omissions. Annicom has a policy of continuous improvement and reserves the right to change this specification without notice.