

AX-LSPTD

Static Pressure Transmitter

AXIO



Product overview

The AX-LSPTD Pressure Transmitters are a cost effective pressure monitoring solution for liquids and non-aggressive, non-combustible gases. The units are available in a number of different ranges with either 4-20mA or 0-10Vdc output signals. Mechanical connection is via a 1/4" BSP male thread and electrical connection is made via a one metre flying lead cable.

The compact design and rugged stainless steel construction makes the AX-LSPTD suitable for a wide range of applications.

Features

- Robust 316L stainless steel construction
- 1/4" BSP pipe connection
- 0-10Vdc and 4-20mA variants
- Complete with 1m cable

Product specifications

Range:	2.5 to 40Bar - (higher values available)	
Maximum Pressure:	2 x Range (Burst 3 x range)	
Power Supply:	4-20mA unit, 2-wire 10-30Vdc	0-10Vdc unit, 3-wire 13-30Vdc at 10mA maximum
Output Load:	0-700Ω (at 24Vdc)	5kΩ minimum (2mA maximum)
Accuracy:	1% Full scale	
Pressure Connection:	1/4" BSPT Male	
Electrical Connection:	1m Cable	
Material:	316L Stainless Steel	
Operating Temperature:	-18°C to +79°C	
Dimensions:	82(L) x 22mm Ø (max.)	
Weight:	283grams	
Protection:	IP66	
Approvals:	CE	
Country of Origin:	USA	

Order Online at:

www.annicom.com

Email orders and enquiries to:

Sales@annicom.com

Order codes

Current Output 4-20mA	Voltage Output 0-10V	
AX-LSPTD-I-500m	AX-LSPTD-V-500m	Static Pressure Transmitter 0 to 500mbar
AX-LSPTD-I-1	AX-LSPTD-V-1	Static Pressure Transmitter 0 to 1bar
AX-LSPTD-I-2.5	AX-LSPTD-V-2.5	Static Pressure Transmitter 0 to 2.5bar
AX-LSPTD-I-4	AX-LSPTD-V-4	Static Pressure Transmitter 0 to 4bar
AX-LSPTD-I-6	AX-LSPTD-V-6	Static Pressure Transmitter 0 to 6bar
AX-LSPTD-I-10	AX-LSPTD-V-10	Static Pressure Transmitter 0 to 10bar
AX-LSPTD-I-16	AX-LSPTD-V-16	Static Pressure Transmitter 0 to 16bar
AX-LSPTD-I-25	AX-LSPTD-V-25	Static Pressure Transmitter 0 to 25bar
AX-LSPTD-I-40	AX-LSPTD-V-40	Static Pressure Transmitter 0 to 40bar

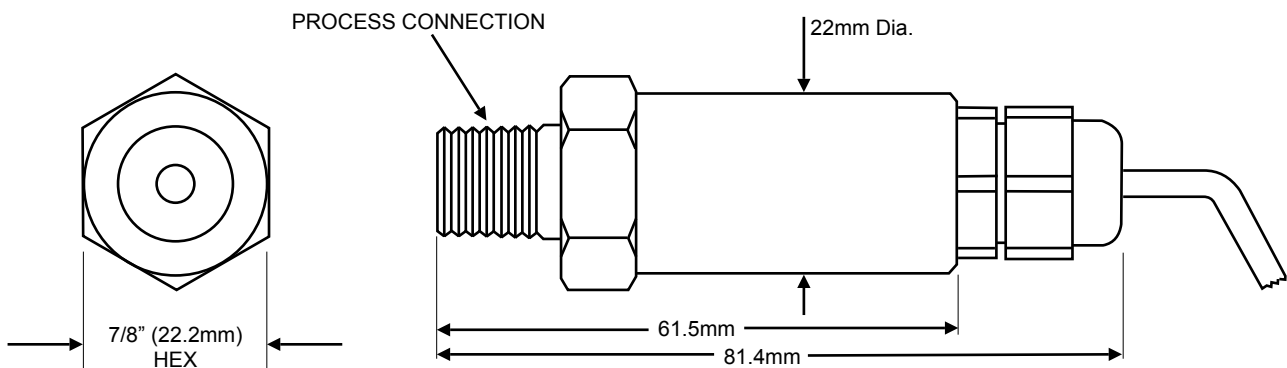
© Copyright Annicom 2017. All Rights Reserved

Installation

The AX-LSPTD should be installed by a suitably qualified technician in accordance with prevailing regulations and any guidelines for the equipment to which it is to be connected. The AX-LSPTD is not suitable for use with mains voltage.

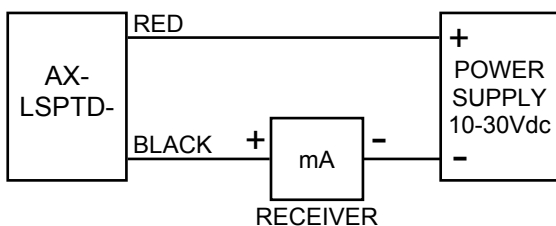
The AX-LSPTD is for use in systems under pressure and should be installed in accordance with practices relevant to the intended use only by persons qualified to do so. A typical use might be an LPHW system where the transmitter would be screwed directly into a 1/4" BSP socket in steel pipework using a sealing compound around the thread if appropriate. A hexagonal surface is cast into the body for turning the unit using a spanner. Gripping devices such as stilson wrenches or swan neck pliers must not be used on the smooth cylindrical part of the body as this can damage the transmitter.

Dimensions

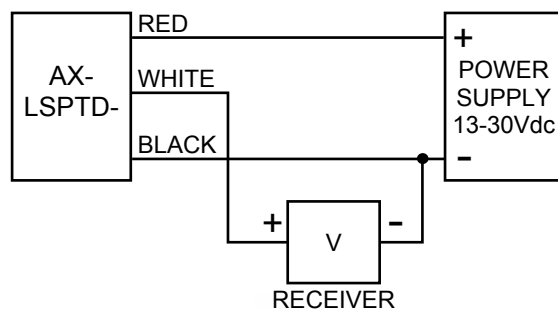


Connections (1m cable supplied)

CURRENT OUTPUT



VOLTAGE OUTPUT



Every effort has been taken in the production of this data sheet to ensure accuracy. Axio do not accept responsibility for any damage, expense, injury, loss or consequential loss resulting from any errors or omissions. Axio has a policy of continuous improvement and reserves the right to change this specification without notice.