



## Product Overview

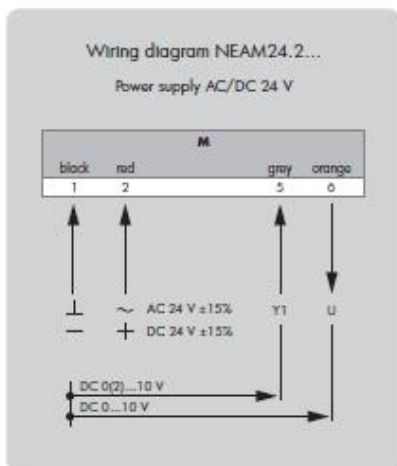
The AX-NEAM range of Modulating Damper Actuators for use in standard HVAC applications. The Actuators are designed for 24 Vac/dc operation. The actuators include a manual override lever for manually positioning the valve when the actuator is not powered. The units come complete with an Anti rotation strap and Universal adaptor

## Product Features

- Torque 2 Nm / 5 Nm
- Damper size 0.4 m<sup>2</sup> / 1.0 m<sup>2</sup>
- Power Supply AC/DC 24 V
- Control Modulating DC 0(2)...10 V and 0(4)...20 mA
- Shaft dimensions  
  - 6 to 16 mm round / □ 5 to 12 mm square
- Minimum shaft length 40 mm
- Selectable direction of rotation
- Adjustable angle of rotation
- Actuators with 900 mm cable connection
- Customer version on request

## Product Specifications

<b>Power Supply:</b>	NEAM	24Vac/dc @50/60Hz +/- 10%
<b>Input Signal:</b>		0-10V modulating (or 2-10V)
<b>Torque:</b>	NEAM-1-02	2nm
	NEAM-1-05	5nm
<b>Max Consumption:</b>	5nm	2W
<b>Response Time:</b>	NEAM-1-02	60 to 90 secs
	NEAM-1-05	70 to 100secs
<b>Ambient Temp. Range:</b>		-20 to + 50°C
<b>Country Of Origin:</b>		Switzerland



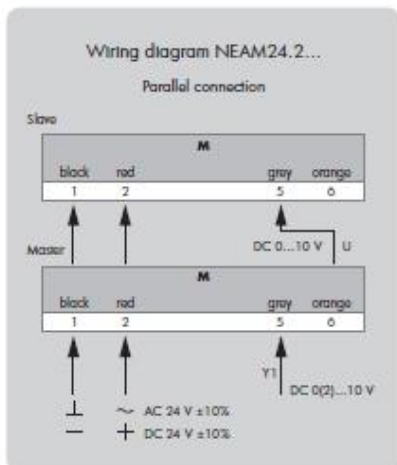
■ Changing direction of rotation NEAM24.2...

Factory-set CW!  
The direction of rotation can be changed by pushing the CW/CCW switch on the actuator's housing.

The diagram shows the actuator housing with a switch labeled 'CW' and 'CCW'. An arrow indicates the switch is currently in the 'CW' position.

■ Adjustment of control signal NEAM24.2...

The diagram shows a PCB with a JP connector and two alternative JP connector configurations. The first configuration is labeled 'Factory-set' with 'Control signal 5 DC 0...10 V' and 'Input resistance Ri 100 Ω'. The second configuration is labeled 'On request' with 'Control signal 5 DC 2...10 V' and 'Input resistance Ri 500 Ω'.



■ Remark

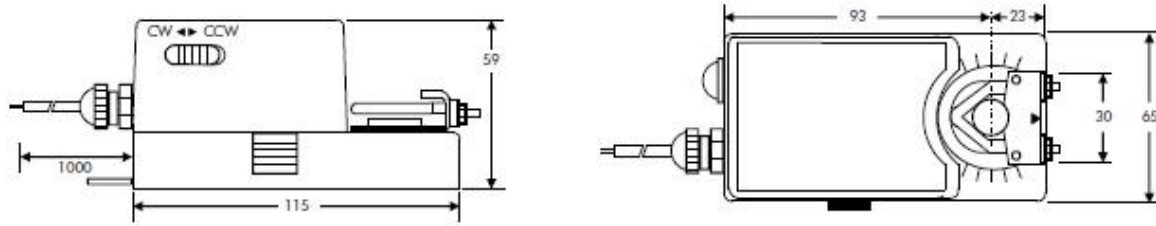
When NEAM... actuators operate in parallel (max. 5 actuators), the output signal U = DC 0...10 V (terminal 6) of the master actuator must be connected to terminal 5 of the next slave actuator.

The power consumption and distance between master and slave must be observed.

For more details of installation and commissioning, please observe our mounting instruction manual M-NEAM02-05.

Every effort has been taken in the production of this data sheet to ensure it's accuracy. Axio can not, however, accept responsibility for any damage, expense, injury, loss or consequential loss resulting from any errors or omissions. Axio has a policy of continuous improvement and reserves the right to change this specification without notice.

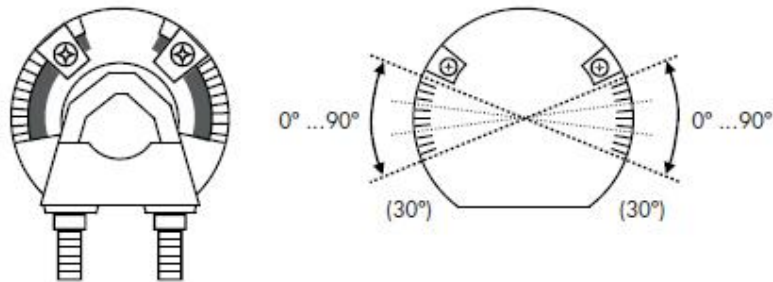
## ACTUATOR DIMENSIONS (mm)



## Limiting angle of rotation NEAM24.2...

### Adjustment of mechanical limiter

1. Loosen screw of mechanical limiter
2. Move limiter to appropriate position \*
3. Tighten screw



\* Working range of 90° can be reduced up to 30° from each end position.