



Product Overview

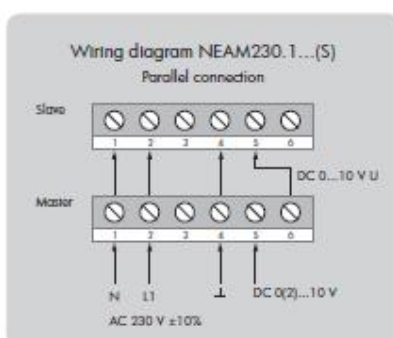
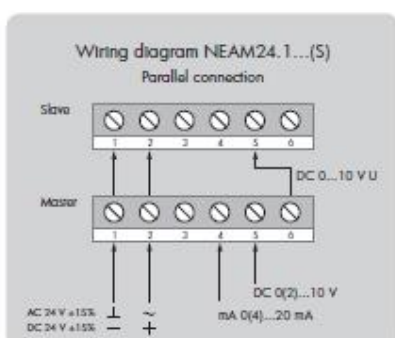
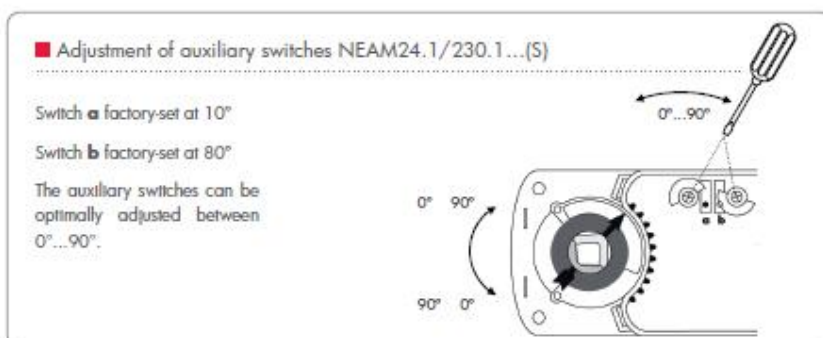
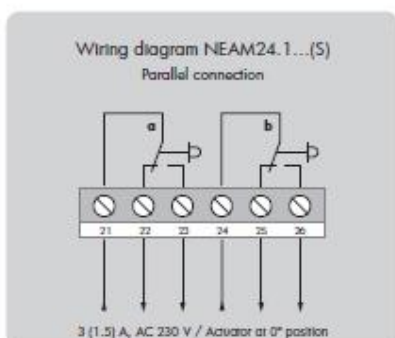
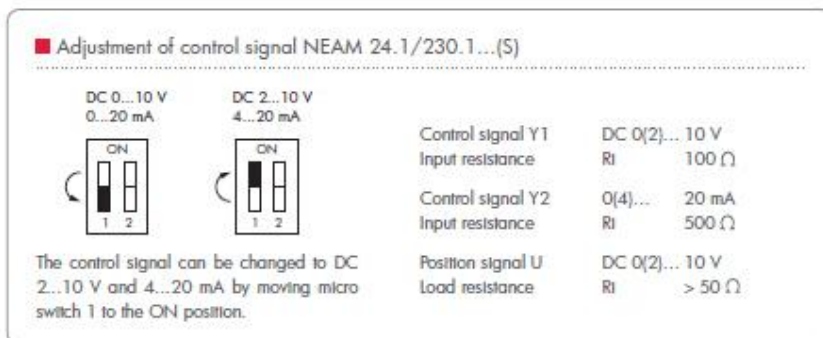
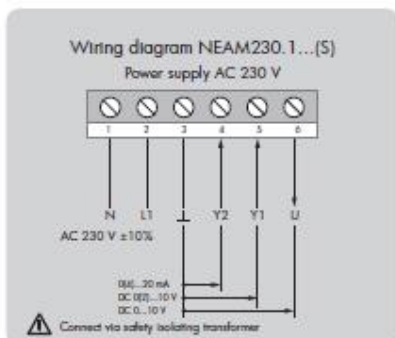
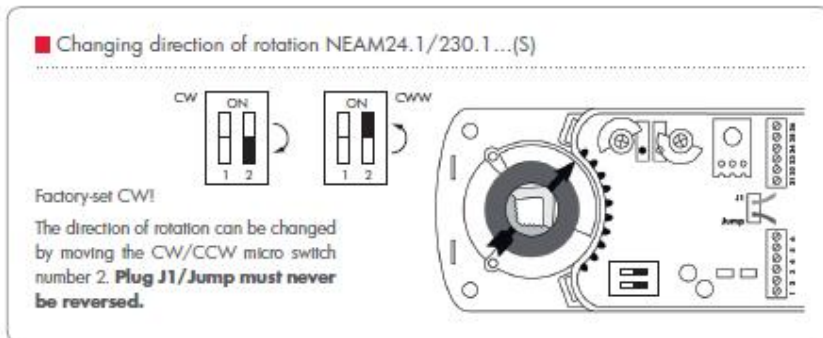
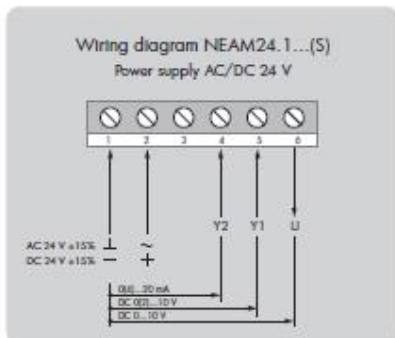
The AX-NEAM range of Modulating Damper Actuators for use in standard HVAC applications. The Actuators are designed for 24 Vac/dc or 230Vac operation. The actuators include a manual override lever for manually positioning the valve when the actuator is not powered. The units come complete with an Anti rotation strap and Universal adaptor

Product Specifications

<b>Power Supply:</b>	NEAM24	24Vac/dc @50/60Hz +/- 15%
	NEAM230	230Vac @50/60Hz +/- 10%
<b>Input Signal:</b>		0-10V modulating (or 2-10V or 4-20mA)
<b>Torque:</b>	NEAMxx-1-08	8nm
	NEAMxx-1-16	16nm
	NEAMxx-1-24	24nm
<b>Max Consumption:</b>		3W/3.9W/3W
<b>Response Time:</b>	NEAMxx-1-08	35 to 45 secs
	NEAMxx-1-16	90 to 110 secs
	NEAMxx-1-24	140 to 160 secs
<b>Angle of Rotation:</b>		90deg selectable
<b>Auxiliary Switches:</b>	-S	2 adjustable limit switches
<b>Shaft Dimensions:</b>		10 to 20mm diam 10 to 16mm square
<b>Ambient Temp. Range:</b>		-20 to + 50°C 5 to 95% RH non condensing
<b>Weight:</b>		1.2 to 1.5kgs
<b>Country Of Origin:</b>		Switzerland

MODEL SELECTION TABLE

Torque	Running time	Power supply	Auxiliary Switches	Model / Type
8 Nm	35...45 sec	AC/DC 24 V ± 15%	No	NEAM24.1-08
8 Nm	35...45 sec	AC/DC 24 V ± 15%	2 x SPDT	NEAM24.1-08 S
8 Nm	35...45 sec	AC 230V ± 10%	No	NEAM230.1-08
8 Nm	35...45 sec	AC 230V ± 10%	2 x SPDT	NEAM230.1-08 S
16 Nm	90...110 sec	AC/DC 24 V ± 15%	No	NEAM24.1-16
16 Nm	90...110 sec	AC/DC 24 V ± 15%	2 x SPDT	NEAM24.1-16 S
16 Nm	90...110 sec	AC 230V ± 10%	No	NEAM230.1-16
16 Nm	90...110 sec	AC 230V ± 10%	2 x SPDT	NEAM230.1-16 S
24 Nm	140...160 sec	AC/DC 24 V ± 15%	No	NEAM24.1-24
24 Nm	140...160 sec	AC/DC 24 V ± 15%	2 x SPDT	NEAM24.1-24 S
24 Nm	140...160 sec	AC 230V ± 10%	No	NEAM230.1-24
24 Nm	140...160 sec	AC 230V ± 10%	2 x SPDT	NEAM230.1-24 S



**Remark**

Parallel connection of maximum five NEAM...(S) actuators is possible. The power consumption and distance between master and slave must be observed.

Every effort has been taken in the production of this data sheet to ensure it's accuracy. Axio can not, however, accept responsibility for any damage, expense, injury, loss or consequential loss resulting from any errors or omissions. Axio has a policy of continuous improvement and reserves the right to change this specification without notice.

