



Product Overview

The AX-OC-F18 range of occupancy sensors are passive infra-red sensors for monitoring occupation through body heat. Detection of occupation will activate the internal relay . There are switched live and Volt free output variants. The units include a light level control which can be turned off if required. There are 230Vac and 24Vac/dc variants.

Features

- Flush, Surface and Wall mount options
- Switched live or Volt free contact output options
- Compatible with many BMS products
- Adjustable timer

Product Specifications

Sensor type:	Passive Infra-Red Detector
Field of View: Flush & Surface	360 deg
Wall	110 deg
Coverage: Flush & Surface	8 metres diam max. (at 2.8m height)
AX-OC-F18-230F6	12 metres diam. max (at 6m height)
Wall	upto 10 metres.
Power Supply: -24	24Vac/dc +/- 20% (flush and surface only)
-240	96 to 253Vac 50/60hZ
Output: Switched Live	Supply voltage
Relay	SPST- NO
Contact Rating:	10 A @240Vac resistive
Timer:	10 secs to 12 mins
Light Level:	Adjustable threshold (if fitted)
Ambient Temp. Range:	-10 to +50°C
Materials:	Flame retardant ABS, polypropylene
Conformity:	CE marked, EMC, LVD.
Country of Origin:	Italy

Order Codes

Switched Live	Volt Free		
AX-OC-F18-24-F	AX-OC-F18-24-F-VFC	-	Flush Mounted Occupancy sensor 24Vac/dc
AX-OC-F18-24-S	AX-OC-F18-24-S-VFC	-	Surface Mounted Occupancy sensor 24Vac/dc
AX-OC-F18-230-F	AX-OC-F18-230-F-VFC	-	Flush Mounted Occupancy sensor 230Vac
AX-OC-F18-230-S	AX-OC-F18-230-S-VFC	-	Surface Mounted Occupancy sensor 230Vac
AX-OC-F18-230-W		-	Wall Mounted Occupancy sensor 230Vac
AX-OC-F18-230-W-IP65		-	Wall Mounted Occupancy sensor IP65 230Vac
AX-OC-F18-230F6		-	Flush Mounted Occupancy Sensor 4.5-6m 230Vac

Installation

Siting:

The AX-OC-F18 should be sited so that the detection pattern (shown below) captures the normal occupancy positions inside the room. You should also follow the following guidelines.

- Avoid direct sunlight entering the sensor
- Do not sight within 1 metre of any lighting
- Do not position sensor within 1 metre of ventilation or forced air heating.
- Do not position sensor on a vibrating surface

Flush Mounting

The AX-OC-F18-F should be installed in a ceiling tile through a 58mm diameter hole, using the plastic clips supplied.. Ensure the tile is sufficiently strong to take the weight of the sensor and that there is sufficient clearance in the ceiling void.

Surface Mounting

The AX-OC-F18-S has fixing lugs to allow mounting to metal boxes or BESA boxes and has base knockouts for cable entry.

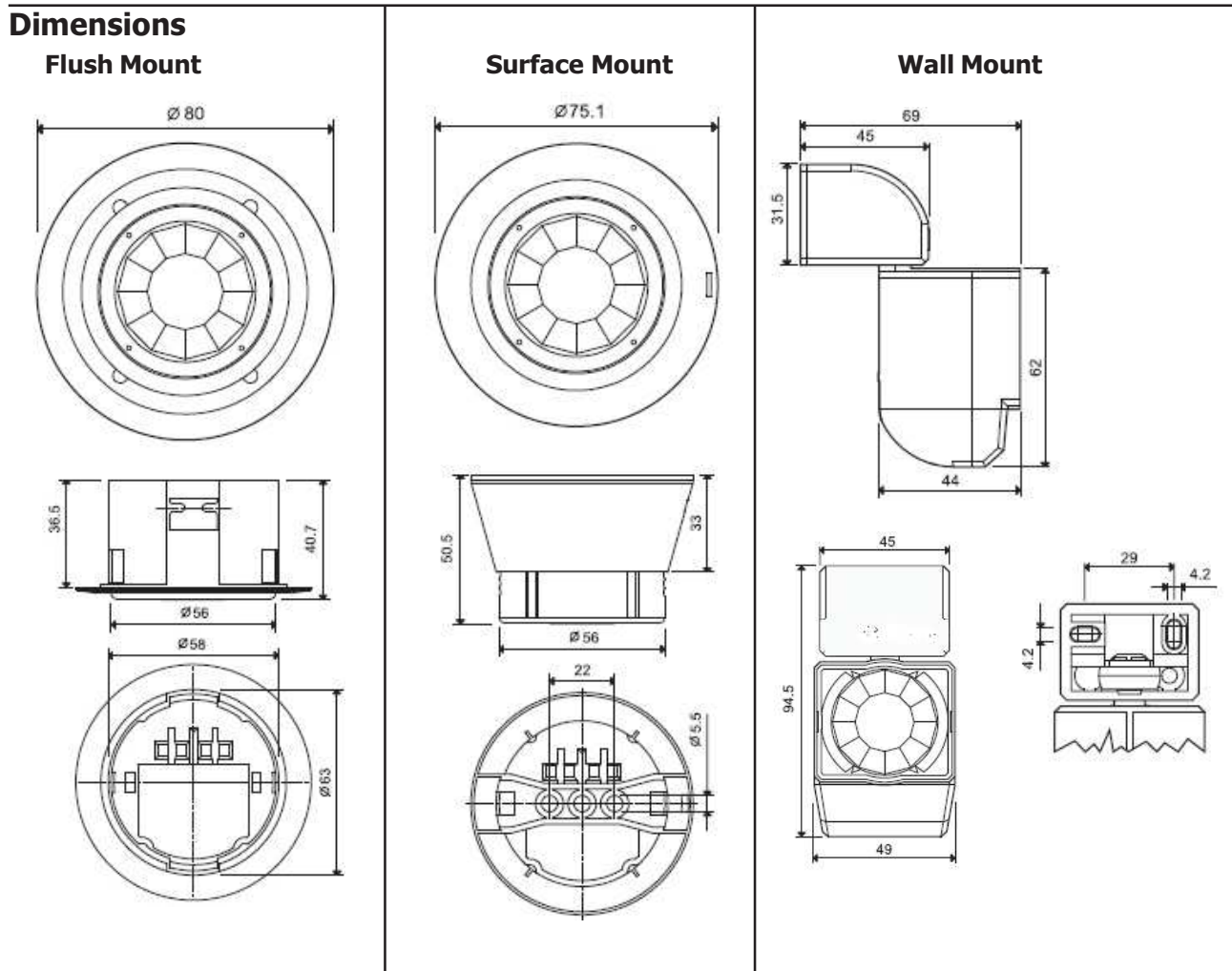
Wall Mounting

The AX-OC-F18-W has a fixing bracket to enable it to be mounted onto the wall,

Configuration

Setting Time Delay

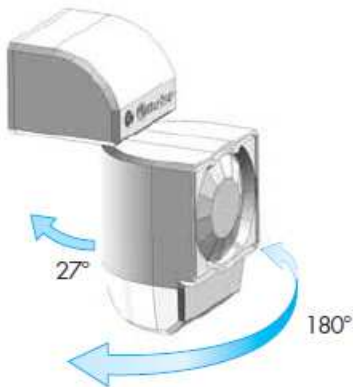
The occupancy timing is done via a potentiometer



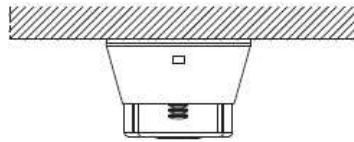
Every effort has been taken in the production of this data sheet to ensure it's accuracy. Axio can not, however, accept responsibility for any damage, expense, injury, loss or consequential loss resulting from any errors or omissions. Axio has a policy of continuous improvement and reserves the right to change this specification without notice.

Mounting and Orientation

Wall Mount



Surface Mount



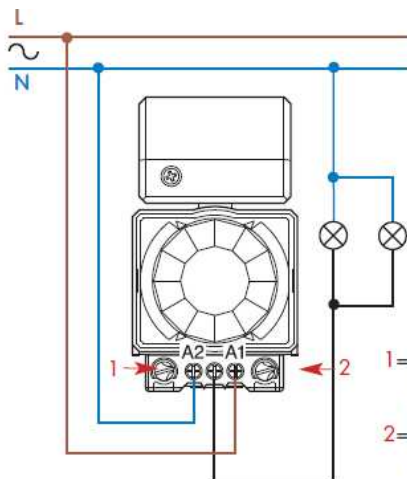
Flush Mount



Connections (light level only fitted on LL versions)

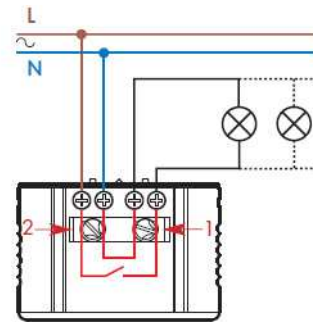
Switched Live

Wall Mount



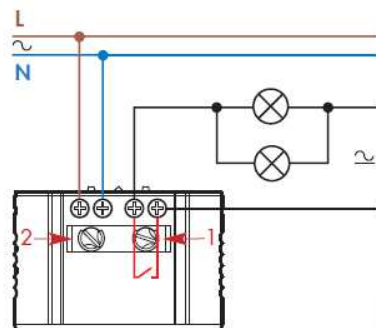
- 1 = ambient light intervention threshold
- 2 = light on time following last detection

Flush & Surface Mount



- 1 = ambient light intervention threshold
- 2 = light on time following last detection

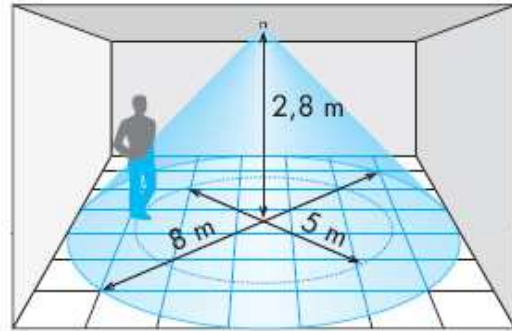
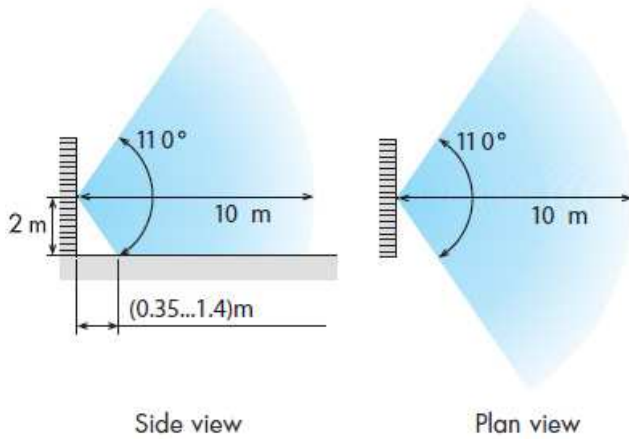
Volt Free Contact



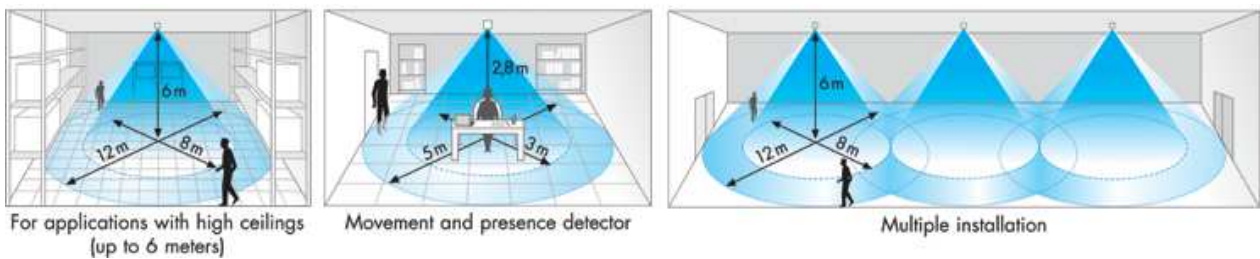
- 1 = ambient light intervention threshold
- 2 = light on time following last detection

Detector Pattern
Wall Mount

Flush & Surface Mount



AX-OC-F18-230F6



Lighting Threshold

The output relay will remain On for the pre-set time, following the last detection of movement.

