



Product overview

The AX-ORM4C is designed for applications which require independent manual override of digital output channels from BMS Controllers. The outputs can be switched without a controller being present which makes the AX-ORM4C useful for temporary control or commissioning. Link selection enables up to 4 outputs to be switched from Input 1. High Quality Rising Clamp Terminals are used for all connections. The AX-ORM4C is powered by 24Vac /dc and features LED indication of Power ON and LED indication for each energised relay. The AX-ORM4C is designed to mount on TS35 section DIN Rail.

Features

- 4 x 0-10Vdc Input
- 4 x SPCO Relay Outputs
- On/Off/AUTO Override
- High Quality Rising Clamp Terminals
- DIN Rail Mounting (TS35)
- LED Indication

Product specifications

Input Signal:	4 x 0-10Vdc, (2mA typical)
Must Operate:	5Vdc
Output Contacts:	4 x SPCO
Contact Rating:	12A/250Vac (res.)
Power Supply:	24Vac/dc $\pm 10\%$
Mode of Operation:	See Overleaf
Manual Override:	ON/OFF/AUTO (Link Selectable)
Terminals:	Rising Clamp for 0.5-2.5mm ² Cable
LED Indicators:	ON when relay energised
Ambient Temperature Range:	0 to 50°C
Dimensions:	78mm (W) x 92.5mm (H) x 48mm (approx.)
Country of Origin:	United Kingdom

Order codes

AX-ORM4C Four Stage Override Relay Output Module

© Copyright Annicom 2017. All Rights Reserved

Annicom Ltd

Unit 21, Highview, Bordon, Hampshire. GU35 0AX

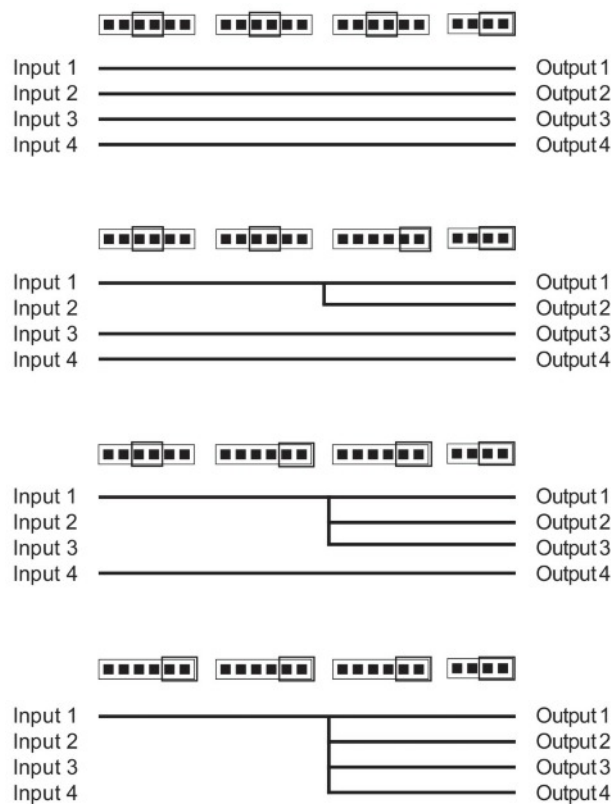
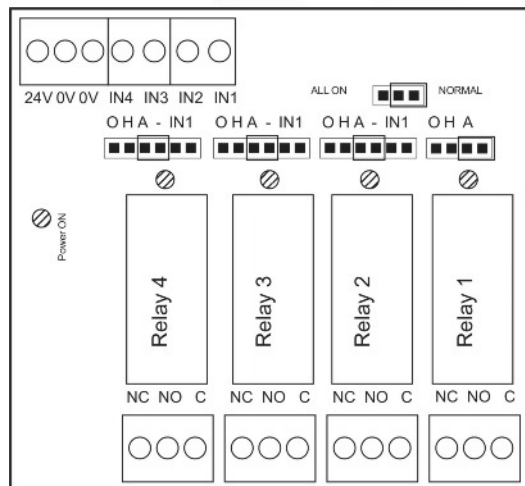
Tel: +44 (0)1420 487788 Fax: +44 (0)1420 487799

Email: sales@annicom.com Website: www.annicom.com

Installation & configuration

The AX-ORM4C is designed for applications which require independent manual override of digital output channels from BMS Controllers. The outputs can be switched without a controller being present which makes the AX-ORM4C useful for temporary control or commissioning. Link selection enables up to 4 outputs to be switched from Input 1.

NB: The AX-ORM4C may be powered from a grounded 24Vac supply, or from a 24Vdc supply. If the AX-ORM4C is used with a floating 24Vac supply, the AX-ORM4C will ground one side through the 0V signal terminal.



Jumper Links

1) ALL ON / Normal

When the relay OFF / HAND (ON) / AUTO jumpers are set to AUTO, moving the ALL ON / NORMAL jumper to the ALL ON position forces all the relays on.

2) 1 x OFF / HAND / AUTO

Input 1, this jumper allows Output Channel Relay 1 to be permanently ON (HAND), permanently OFF or reacting according to the status of Input 1 (AUTO).



The Output Channel Relay 1 is OFF



The Output Channel Relay 1 is ON (HAND)



The output Channel Relay 1 is in AUTO mode and is controlled by Input 1

3) 3 x OFF / HAND / AUTO / IN1

Inputs 2, 3 and 4, these jumpers allow Relays 2, 3 and 4 to be set permanently ON (HAND), permanently OFF, reacting independantly in response to the individual input (AUTO) or commoned to Input 1 (IN1) - see below :



The Output Channel Relay 1 is OFF



The Output Channel Relay 1 is ON



The output Channel Relay 1 is in AUTO mode and is controlled by its input



The Output Channel Relay tracks the setting of Input 1.



This position is INVALID, the Output Channel remains in AUTO mode.