

## Industrial Plug In Relay 2 Pole

### Product Overview

The AX-R2N series comprise a range of high quality 2 Pole and industry standard relay footprint mounted in DIN Rail base. Variants are available with 24Vdc, 24Vac and 230Vac coils. Other versions are available on special request. The DIN Rail base is designed to be a snap fit onto TS35 section DIN Rail.



### Product Features

- Industry standard footprint, now with terminal.
- Blades with no holes for better mounting in sockets.
- Large Range of AC and DC Coil Options,
- Complete with DIN Carrier and Retaining Clip.
- High Quality Rising clamp terminals with captive screws.
- Base, Clip & LED are additional & available upon request.

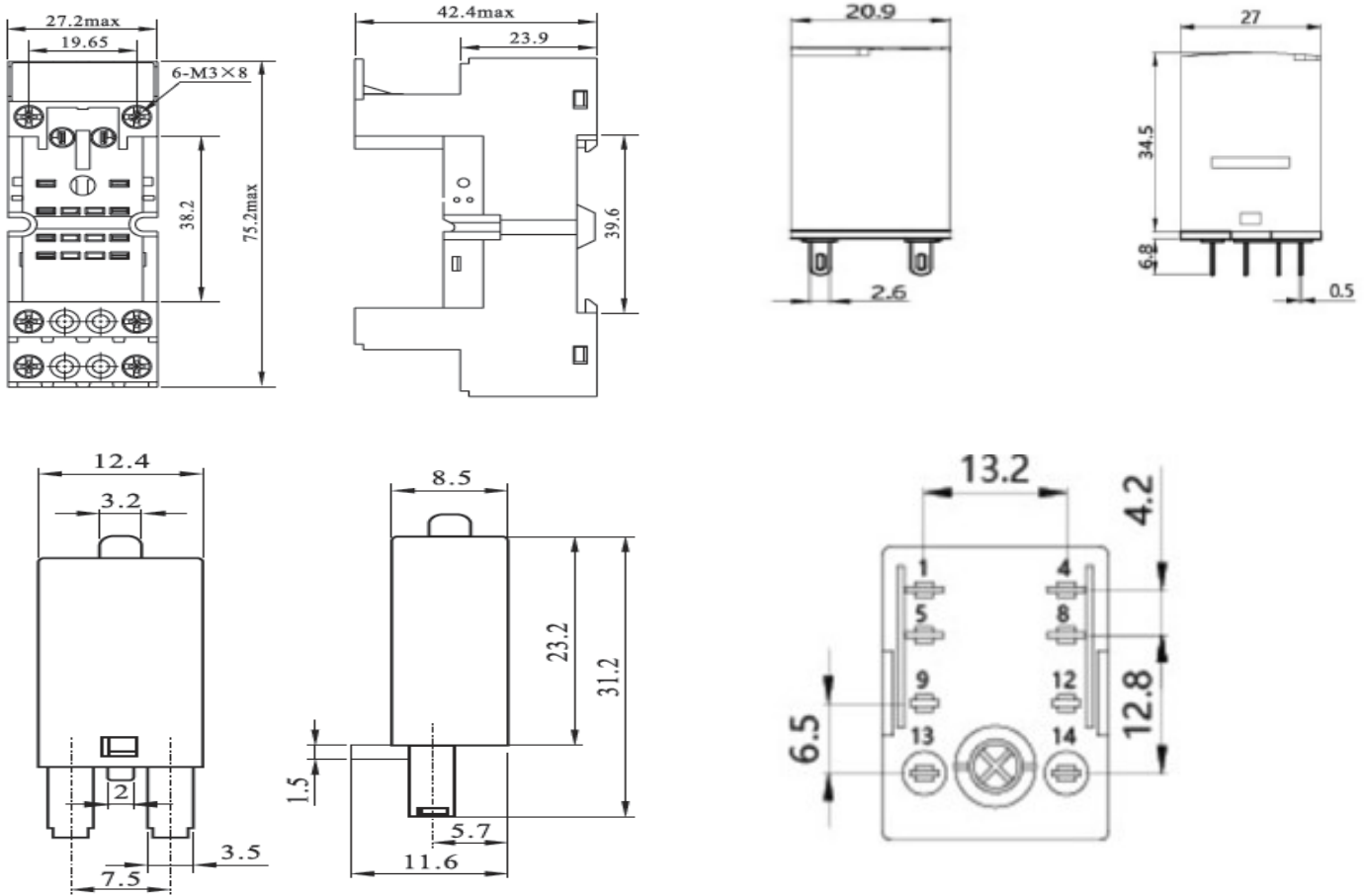
### Product Overview

	AX-R2N-24D	AX-R2N-24A	AX-R2N-230A
Coil Voltage:	24Vdc	24Vac	230Vac
Coil Resistance/Current:	640 $\Omega$ $\pm$ 10%	168 (mA) +15/-20%	15430 (mA) +15/-20%
Power Consumption:	900 (mW)	1.2 (VA)	1.2 (VA)
Must Operate Volt. Max:	18.0 (VDC)	19.2 (VAC)	176.0 (VAC)
Must Release Volt. Min:	2.4 (VDC)	7.2 (VAC)	66.0 (VAC)
Max Allowable Volt:	26.4 (VDC)	26.4 (VAC)	242.0 (VAC)
Rated load (resistive - $\cos \phi=1$ ):		AC1 DPDT:10A/240VAC DC1 DPDT:10A/28VDC	
Max. Switching Voltage:		277VAC, 30VDC	
Min. Breaking Capacity:		0.3W	
Dielectric Strength:		Coil to Contact 1500Vrms, 1min (50Hz), 1mA	
Contact Material:		AgNi 90/10	
Rated Power Consumption:		DC 0.9W, AC 1.2VA	
Ambient Temperature:		-40°C to 70°C	
Protection Category:		IP40	
Country of Origin:		United Kingdom	

### Order Codes

Part number	Description
AX-R2N-230A	Industrial Plug In Relay-2 Pole C/O-230VAC
AX-R2N-24A	Industrial Plug In Relay-2 Pole C/O-24 AC
AX-R2N-24D	Industrial Plug In Relay-2 Pole C/O-24 DC
	-Base (Add separately)
	-Clip (Add separately)
	-LED (Add separately)

### Dimensions



### Installation

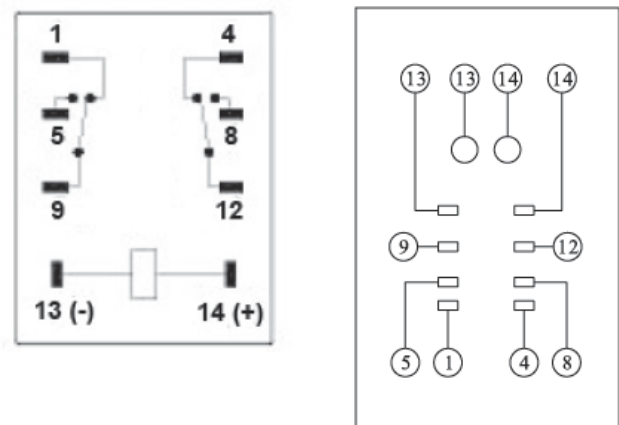
The unit should be installed by a suitably qualified technician in accordance with prevailing regulations and any guidelines for the equipment to which it is to be connected.

Maintain a minimum distance of 26 mm between the current sensor and other magnetic devices like contactors, relays, transformers etc.

### Typical Wiring

As a general rule screened cable should be used to connect signal to a BMS or other controller. The shield should be connected to the earth at one end only.

### Wiring



### Datasheet Contents

Every effort has been taken in the production of this data sheet to ensure accuracy. Annicom do not accept responsibility for any damage, expense, injury, loss or consequential loss resulting from any errors or omissions. Annicom has a policy of continuous improvement and reserves the right to change this specification without notice.