

### Product Overview

The AX-RA-06D On/Off or 2/3 Point damper actuators are designed for dampers in ventilation and air-conditioning systems. These 24Vac/dc & 230Vac operated actuators come with two auxiliary SPDT switches.

The 6Nm damper actuator AX-RA-06D with control of On/Off or 2/3 Points are used to regulate dampers up to approximately 0.8m<sup>2</sup>.



### Products Features

- Manual control button available in casing.
- Self Overload Protection
- Mechanical limit operator
- CE Complaint

### Product Specifications

Torque	6Nm
Damper size:	0.8m <sup>2</sup>
Running time	50 Sec
Power supply:	AC/DC 24V 50/60Hz OR AC 100-240V 50/60Hz
Nominal voltage range:	24Vac (AC/DC 19.2V-28.8V), 230Vac (AC 85V-265V)
Power consumption	Runtime: 3W, Holding: 0.5W
Angle of rotation:	90° Max (Mechanical Adjustment Option)
Life cycle:	60,000 cycles
Control Signals:	On/Off or 2/3 Points
Auxiliary switch:	2x SPDT
Auxiliary switch rating:	(1.5)3Amp, AC230V
Sound power level, motor:	45dB
Ingress protection:	IP54
Ambient temperature:	-20°C to 50°C
Storage temperature:	-30°C to 80°C
Humidity Test:	95 % RH, Non Condensing
Weight:	0.75 Kg
Shaft length:	>50mm
Compliance:	CE
Country Of Origin:	UK

### Order Codes

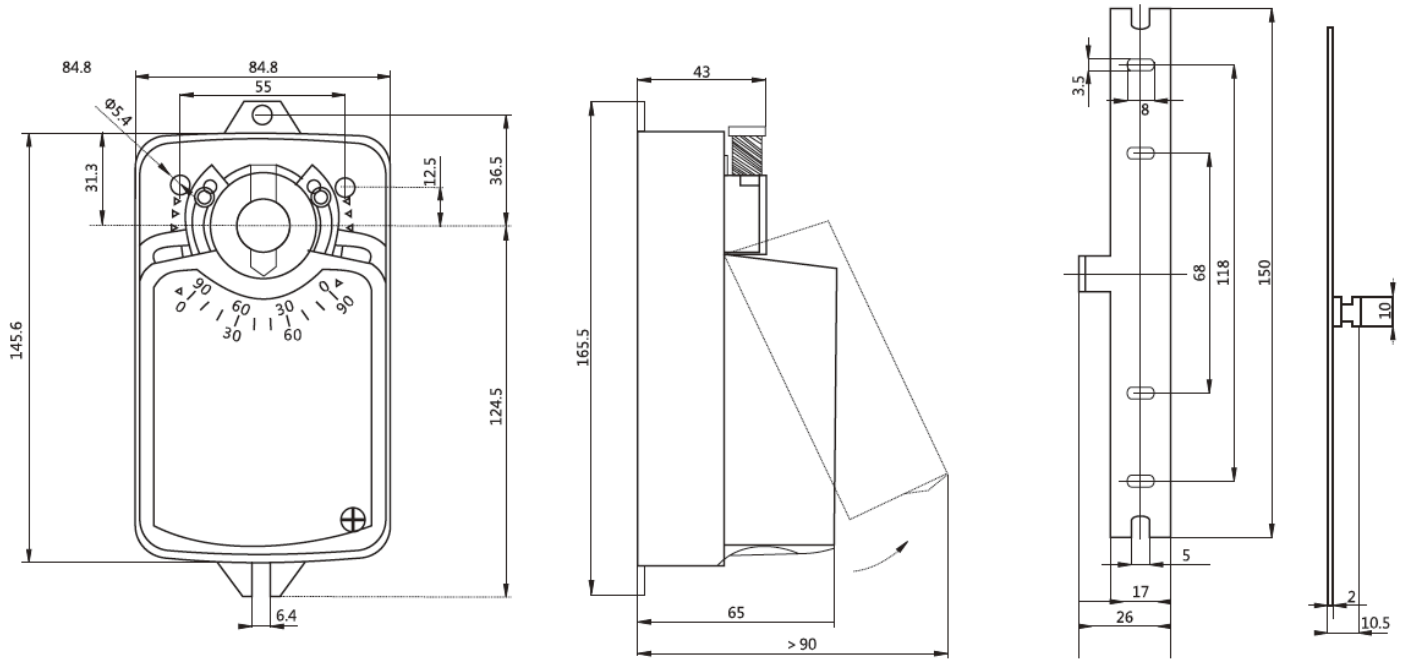
Part Number	Description
AX-RA-06D	Damper Actuator, On/Off or 2/3 Points, 24V, 6Nm
AX-RA-06DS	Damper Actuator, On/Off or 2/3 Points, 24V, 6Nm, 2 Aux switches
* Add suffix “-230” for 230Vac versions	

# AX-RA-06D

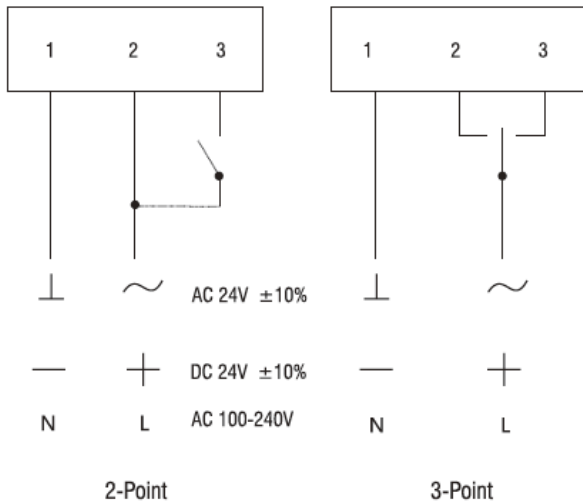


Damper Actuator, On/Off or 2/3 Points, 6Nm

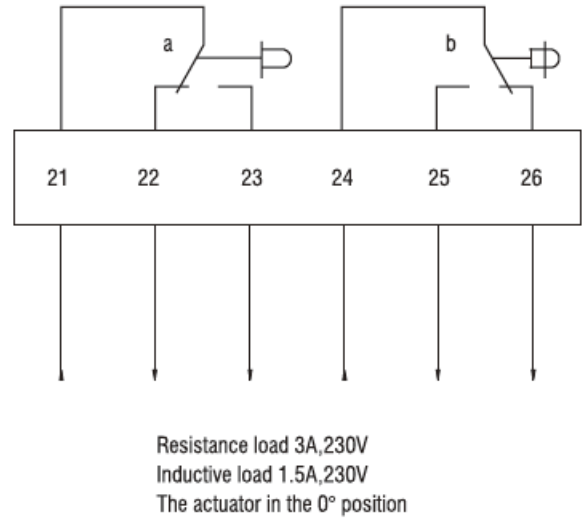
## Dimensions (mm)



## Wiring Diagram



## Auxiliary Switch



## Datasheet Contents

Every effort has been taken in the production of this data sheet to ensure accuracy. Axio do not accept responsibility for any damage, expense, injury, loss or consequential loss resulting from any errors or omissions. Axio has a policy of continuous improvement and reserves the right to change this specification without notice.