

Product Overview

The AX-RA-16D On/Off or 2/3 Point damper actuators are designed for dampers in ventilation and air-conditioning systems. These 24Vac/dc & 230Vac operated actuators comes with two auxiliary SPDT switches.

The 16Nm damper actuator AX-RA-16D with control of On/Off or 2/3 Points are used to regulate dampers up to approximately 3m².



Products Features

- Manual control button available in casing.
- Self Overload Protection
- Mechanical limit operator
- CE Complaint

Product Specifications

Torque:	16Nm
Damper size:	3m ²
Running time:	100 Sec
Power supply:	AC/DC 24V 50/60Hz OR AC 100-240V 50/60Hz
Nominal voltage range:	24Vac (AC/DC 19.2V-28.8V), 230Vac (AC 85V-265V)
Power consumption:	Runtime: 4.5W, Holding: 0.5W
Angle of rotation:	90° (Mechanical Adjustment Option)
Life cycle:	60,000 cycles
Control Signal:	On/Off or 2/3 Points
Auxiliary Switch:	2x SPDT
Auxiliary switch rating:	3(1.5)Amp, AC250V
Sound power level, motor:	45dB
Ingress protection:	IP54
Ambient temperature:	-20°C to 50°C
Storage temperature:	-30°C to 80°C
Humidity test:	95% RH (Non Condensing)
Weight:	1.3 Kg
Shaft length:	>50mm
Compliance:	CE
Country Of Origin:	UK

Order Codes

Part Number	Description
AX-RA-16D	Damper Actuator, On/Off or 2/3 Point, 24V, 16Nm
AX-RA-16DS	Damper Actuator, On/Off or 2/3 Point, 24V, 16Nm, 2 Aux switches

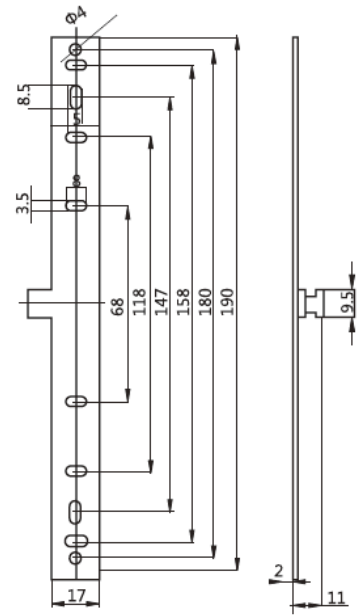
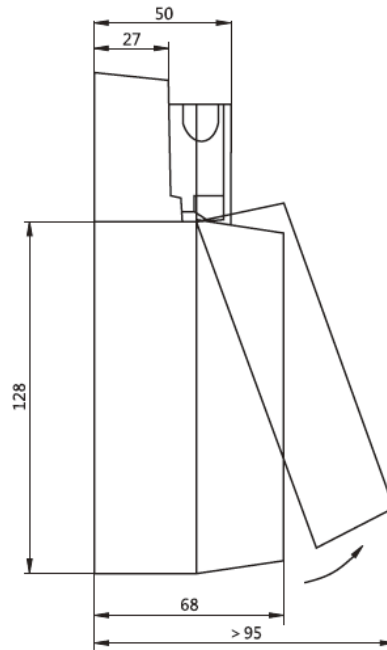
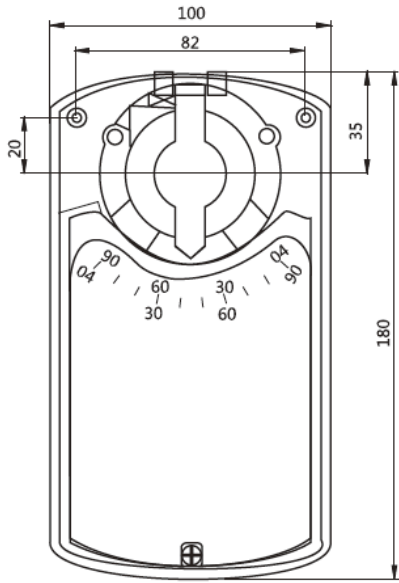
* Add suffix “-230” for 230Vac versions

AX-RA-16D



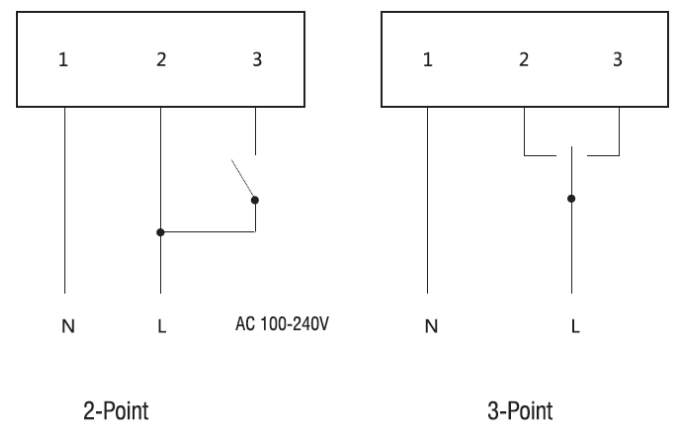
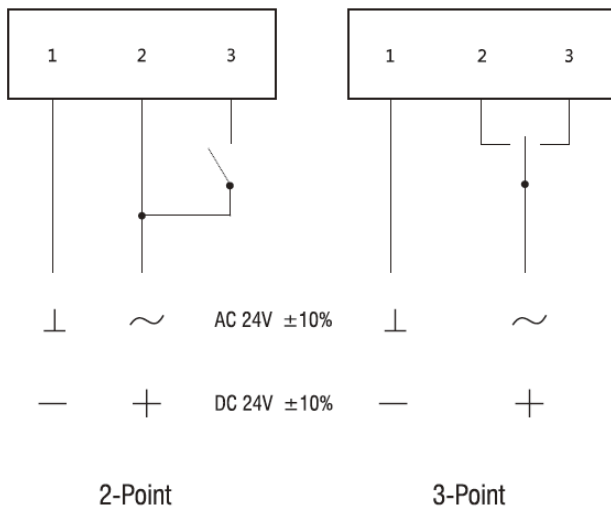
Damper Actuator, On/Off or 2/3 Point, 16Nm

Dimensions (mm)



Wiring Diagram (24V)

Wiring Diagram (230V)



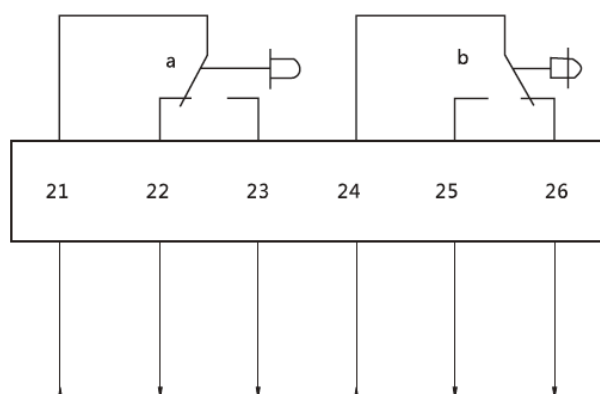
2-Point

3-Point

2-Point

3-Point

Auxiliary switch



Datasheet Contents

Every effort has been taken in the production of this data sheet to ensure accuracy. Axio do not accept responsibility for any damage, expense, injury, loss or consequential loss resulting from any errors or omissions. Axio has a policy of continuous improvement and reserves the right to change this specification without notice.