

Damper Actuator, Modulating, 32Nm

Product Overview

The AX-RA-32A modulating damper actuators are designed for dampers in ventilation and air-conditioning systems. These 24Vac/dc & 230Vac operated actuators come with two auxiliary SPDT switches.

The 32Nm damper actuator AX-RA-32A with selectable control signals of 0(2)-10 Vdc or 4-20 mA are used to regulate dampers up to approximately 6m².



Products Features

- Manual control button available in casing.
- Self Overload Protection
- Mechanical limit operator
- CE Complaint

Product Specifications

Torque:	32Nm
Damper size:	6m ²
Running time:	180 Sec
Power supply:	AC/DC 24V 50/60Hz OR AC 100-240V 50/60Hz
Nominal voltage range:	24Vac (AC/DC 19.2V-28.8V), 230Vac (AC 85V-265V)
Power consumption:	Runtime: 4.5W, Idle: 0.5W
Angle of rotation:	0-95° (Mechanical Adjustment Option)
Direction of rotation:	Manual Regulation
Life cycle:	60,000 cycles
Control Signal:	0(2)-10 V or 0(4)-20mA (selectable)
Auxiliary switch:	2x SPDT
Auxiliary switch rating:	3(1.5)Amp, AC230V
Sound power level, motor:	45dB
Ingress protection:	IP54
Ambient temperature:	-20°C to 50°C
Storage temperature:	-40°C to 70°C
Humidity Test:	95% RH (Non Condensing)
Weight:	1.25 Kg
Shaft length:	>50mm
Compliance:	CE
Country Of Origin:	UK

Order Codes

Part Number	Description
AX-RA-32A	Damper Actuator, Modulating 24V, 32Nm, 0(2)-10V & 4-20mA
AX-RA-32A-S	Damper Actuator, Modulating 24V, 32Nm, 0(2)-10V & 4-20mA, 2 Aux switches

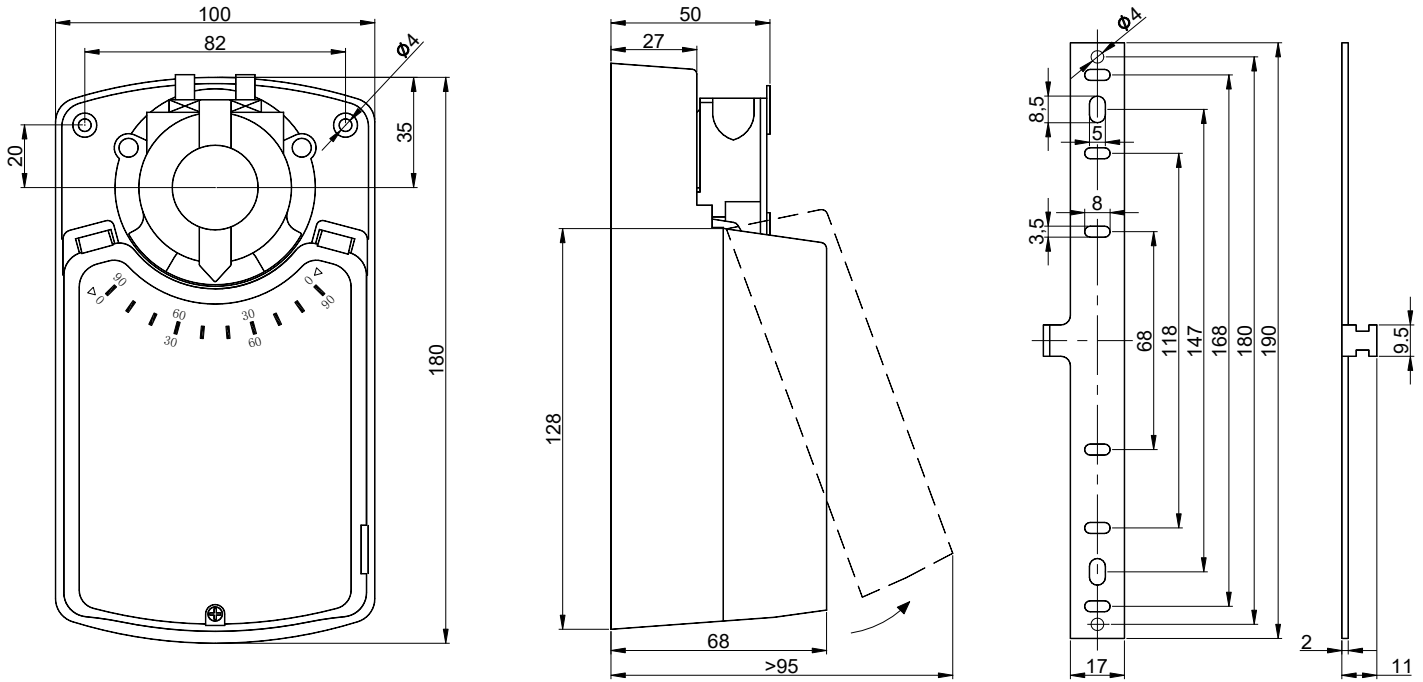
* Add suffix “-230” for 230Vac versions

AX-RA-32A

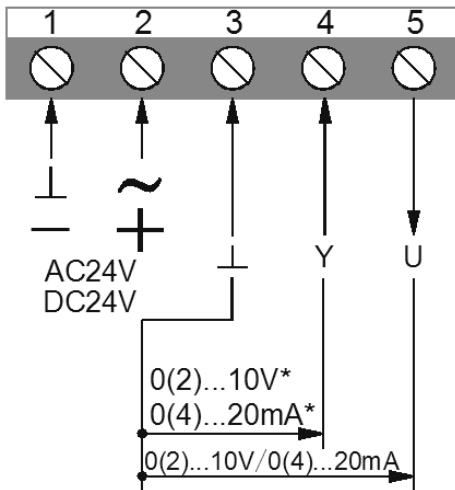


Damper Actuator, Modulating, 32Nm

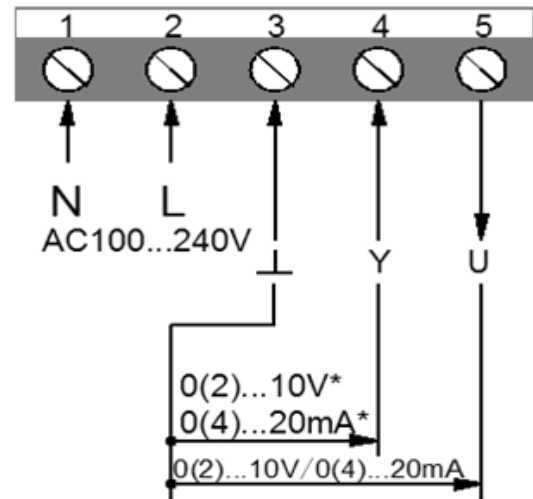
Dimensions (mm)



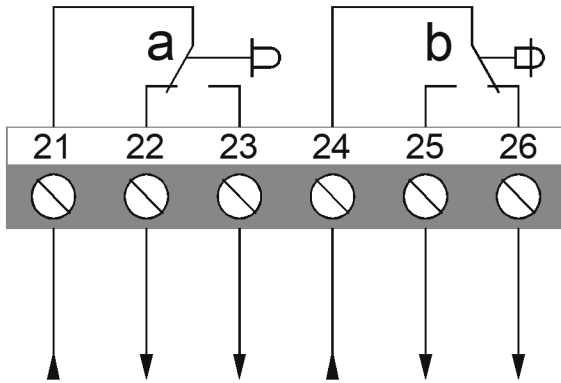
Wiring Diagram (24V)



Wiring Diagram (230V)



Auxiliary Switch



Control Switch Settings

No 1: Mode of feedback signal	No 2: Control of starting signal	No 3: Mode of control signal	No 4: Switch the Direction of Rotation	Factory setting
OFF: voltage signal 0(2)-10V feedback;	OFF: 0-10V or 0-20mA;	OFF: voltage signal 0(2)-10V input;	OFF: With the signal increase, actuator rotates anticlockwise;	Input: 0-10V; Feedback: 0-10V; With the signal increase, actuator rotates clockwise.
ON: current signal 0(4)-20mA feedback.	ON: 2-10V or 4-20mA.	ON: current signal 0(4)-20mA input.	ON: With the signal increase, actuator rotates clockwise.	

Datasheet Contents

Every effort has been taken in the production of this data sheet to ensure accuracy. Axio do not accept responsibility for any damage, expense, injury, loss or consequential loss resulting from any errors or omissions. Axio has a policy of continuous improvement and reserves the right to change this specification without notice.