

### Product Overview

The AX-RAS-05A Spring Return Modulating damper actuators are designed for dampers in ventilation and air-conditioning systems. These 24Vac/dc operated actuators comes with 2 optional auxiliary SPDT switches.

The 5Nm damper actuator AX-RAS-05A with control of 0(2)-10V or 0(4)-20mA are used to regulate dampers up to approximately 1m<sup>2</sup>.



### Products Features

- Maximum shaft size  $\phi$ 18mm (circular).
- Self Overload Protection.
- IP54.
- CE Compliant.

### Product Specifications

Torque:	5Nm
Damper size:	1m <sup>2</sup>
Running time:	Running: 100Sec, Spring Reset: 20Sec
Power supply:	24Vac 50/60Hz or DC 24V
Power consumption:	Runtime: 5W, Holding: 3W
Angle of rotation:	95° Max, (Mechanical Adjustment Option)
Life cycle:	60,000 cycles
Control Signals:	0(2)-10V or 0(4)-20mA
Auxiliary switch:	2x SPDT (optional)
Auxiliary switch rating:	3(1.5)Amp, 220V
Sound power level, motor:	Motor: 45dB, Spring Return: 62dB
Ingress protection:	IP54
Ambient temperature:	-20°C to 50°C
Storage temperature:	-40°C to 70°C
Humidity Test:	95 % RH (Non Condensing)
Unit Weight:	1.5 Kg
Shaft Length:	>90mm
Compliance:	CE
Country Of Origin:	UK

### Order Codes

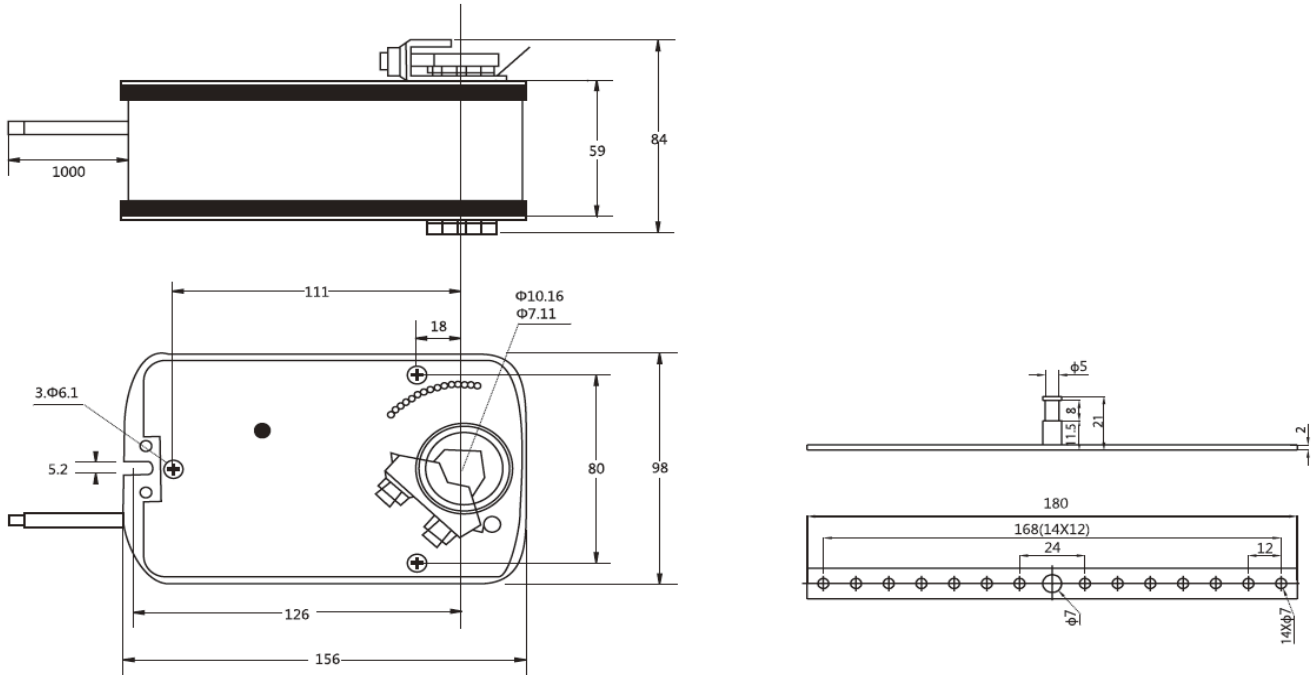
Part Number	Description
AX-RAS-05A	Damper Actuator Spring Return, Modulating, 24V, 5Nm
AX-RAS-05AS	Damper Actuator Spring Return, Modulating, 24V, 5Nm, 2 Aux switches

# AX-RAS-05A



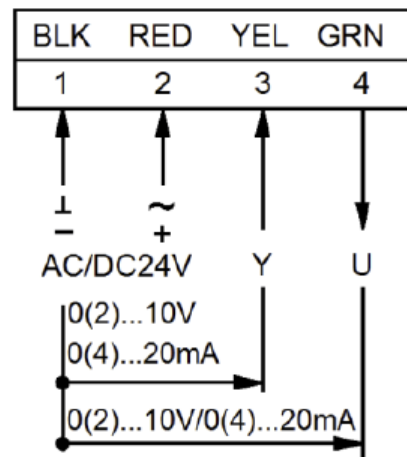
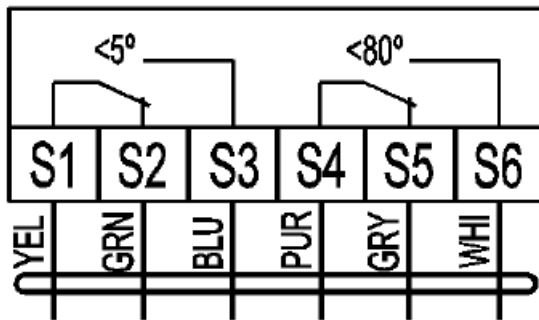
Damper Actuator, Spring Return, Modulating, 5Nm

## Dimensions (mm)



## Auxiliary Switch

## Wiring Diagram



## Datasheet Contents

Every effort has been taken in the production of this data sheet to ensure accuracy. Axio do not accept responsibility for any damage, expense, injury, loss or consequential loss resulting from any errors or omissions. Axio has a policy of continuous improvement and reserves the right to change this specification without notice.