

AX-RAS-15D

Damper Actuator, Spring Return, On/Off, 15Nm



Product Overview

The AX-RAS-15D Spring Return On/Off damper actuators are designed for dampers in ventilation and air-conditioning systems. These 24Vac/dc & 230Vac operated actuators comes with 2 optional auxiliary SPDT switches.

The 15Nm spring return damper actuator AX-RAS-15D with control of On/Off signals are used to regulate dampers up to approximately 3m².



Products Features

- Maximum shaft size ϕ 16mm (circular).
- Manual Override Option.
- Single line control.
- CE Compliant.

Product Specifications

Torque:	15Nm
Damper size:	3m ²
Running time:	Running: 150Sec, Spring Reset: 25Sec
Power supply:	AC/DC 24V 50/60Hz OR AC 100-240V 50/60Hz
Nominal voltage range:	24Vac (AC/DC 19.2V-28.8V), 230Vac (AC 85V-265V)
Power consumption:	Runtime: 10W, Holding: 3W
Angle of rotation:	95° Max, (Mechanical Adjustment Option)
Life cycle:	60,000 cycles
Control Signals:	On/Off
Auxiliary switch:	2x SPDT (optional)
Auxiliary switch rating:	3(1.5)Amp, 230V
Sound power level, motor:	45dB
Ingress protection:	IP54
Ambient temperature:	-20°C to 50°C
Storage temperature:	-30°C to 80°C
Humidity Test:	95 % RH (Non Condensing)
Unit Weight:	2.6 Kg
Shaft Length:	>90mm
Compliance:	CE
Country Of Origin:	UK

Order Codes

Part Number	Description
AX-RAS-15D	Damper Actuator Spring Return, On/Off, 24V, 15Nm
AX-RAS-15DS	Damper Actuator Spring Return, On/Off, 24V, 15Nm, 2 Aux Switches

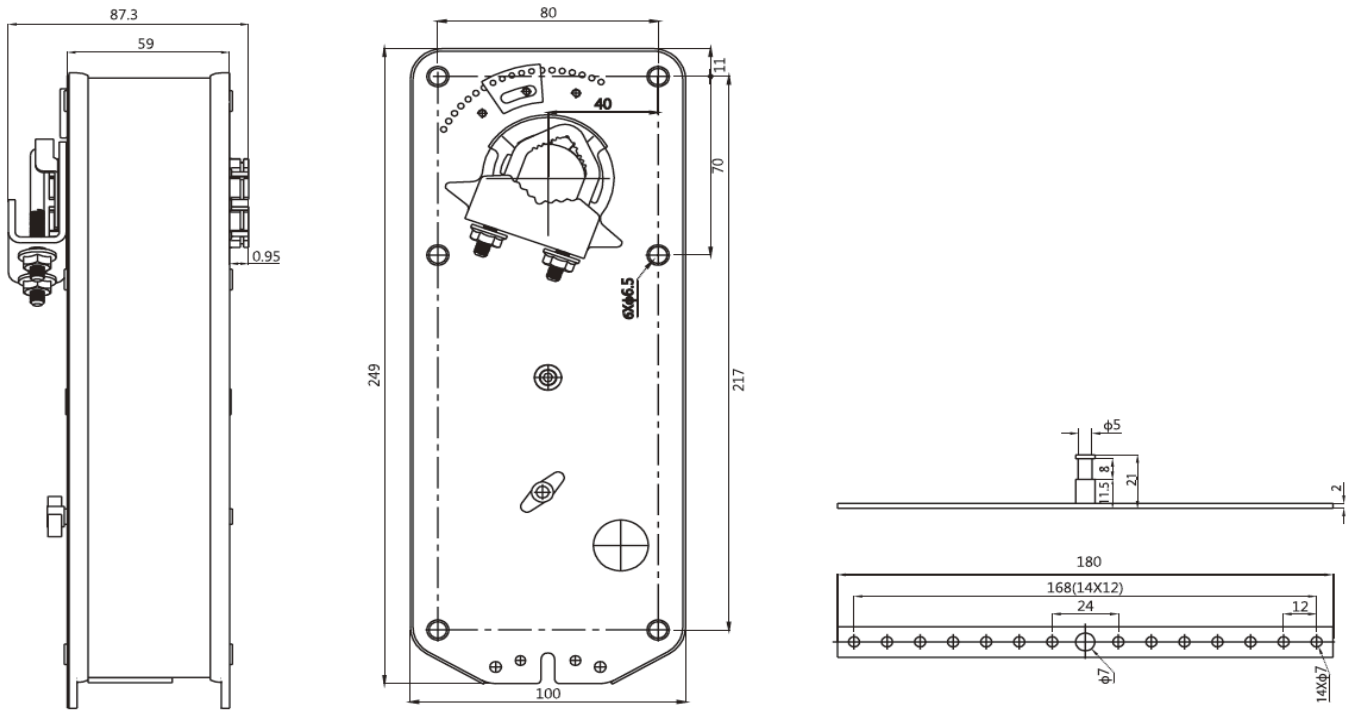
* Add suffix "-230" for 230Vac versions

AX-RAS-15D

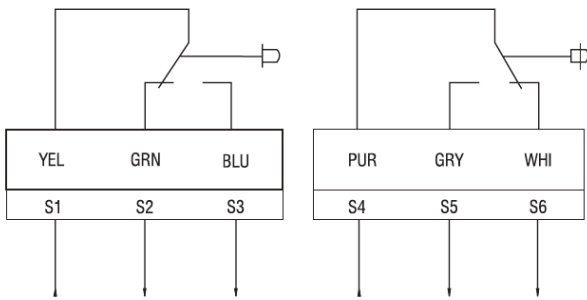
Damper Actuator, Spring Return, On/Off, 15Nm



Dimensions (mm)

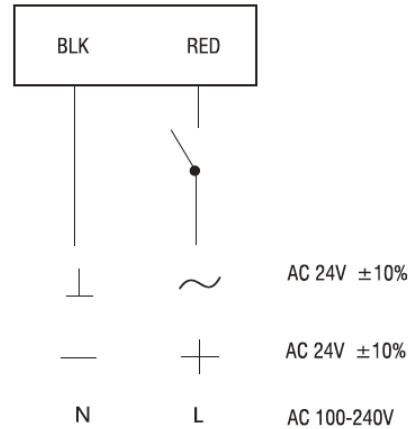


Auxiliary Switch



Resistance load 3A, 230V
Inductive load 1.5A, 230V

Wiring Diagram



Datasheet Contents

Every effort has been taken in the production of this data sheet to ensure accuracy. Axio do not accept responsibility for any damage, expense, injury, loss or consequential loss resulting from any errors or omissions. Axio has a policy of continuous improvement and reserves the right to change this specification without notice.