



Product Overview

The AX-RDPM Room differential pressure monitors are used to measure differential pressure in the range of +/- 30 to 250 Pa. They feature an LCD to display the pressure values and have an optional alarm output with variable trip point, a remote buzzer output with silence switch and a flashing alarm LED. They can be used for static pressure monitoring applications by simply allowing one of the ports to remain open to normal atmospheric pressure.

Features

- Cost Effective Solution
- Different Ranges Available
- 0-10Vdc and 4-20mA Variants
- Alarm and Buzzer output options

Product Specifications

Range:	See Order Codes and Table Overleaf
Over Pressure:	25kPa
Accuracy:	+/- 1 % F.O. (+/- 2% for 30 Pa ranges)
Thermal Effects:	<+/- 3.5% over compensated range
Power Supply:	15 to 27Vac or 20 to 35Vdc
Supply Current:	<30mA (base model) , 50mA (with alarm options), 70mA (with buzzer)
Output:	0-5, 0-10Vdc or 4-20mA - jumper selectable
Output Drive Capability:	Voltage: 2KOhms min Current: 550 Ohms maximum
Response Time:	0.5 secs
Zero Adjustment:	Pushbutton auto-zero (on device or remote)
Relay Output:	N.O. contact 2.5A@120Vac or 30Vdc
Relay Trip Point:	Adjustable from Zero to span via potentiometer
Relay Delay:	5 seconds on / 5 seconds off
Pressure Connections:	1/8" ID flexible tubing
Electrical Connection:	Screw Terminals Suitable For Use with Cable up to 1.5mm ²
Ambient Temp:	0°C to 70°C
Dimensions:	71 x 119 x 32mm (max.)
Weight:	110g
Country of Origin:	Canada

Order Codes

- AX-RDPM-05** - Room Differential Pressure Monitor +/- 250Pa
- AX-RDPM-06** - Room Differential Pressure Monitor +/- 125Pa
- AX-RDPM-07** - Room Differential Pressure Monitor +/- 60Pa
- AX-RDPM-08** - Room Differential Pressure Monitor +/- 30Pa

OPTIONS

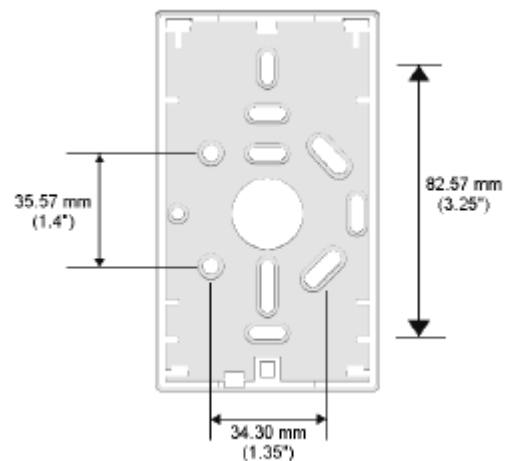
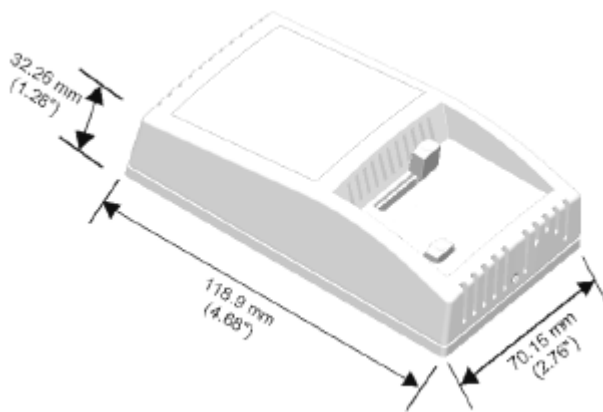
- LC** LCD Display - display differential pressure value & alarm setpoint value on demand
- A** Alarm Functions- LED, silence switch, buzzer out, relay out and setpoint control
- AA** Buzzer Plate
- SP** Stainless plate pick up port
- AE** Executive pick up port

Installation

The AX-RDPM should be installed by a suitably qualified technician in accordance with prevailing regulations and any guidelines for the equipment to which it is to be connected. The AX-RDPM is not suitable for use with mains voltage.

The AX-RDPM has four fixing lugs moulded into the base for use with screws up to 4mm in diameter. When fixing the switch, care should be taken not to stress the unit. The module is designed to be mounted on a vertical plane with the gland and pressure connections at the bottom of the unit. The module can be fixed in other orientations but this will affect the accuracy of the unit and when setting the required switching point the dial will need to be adjusted so as to take account of the error.

Dimensions (not to scale)



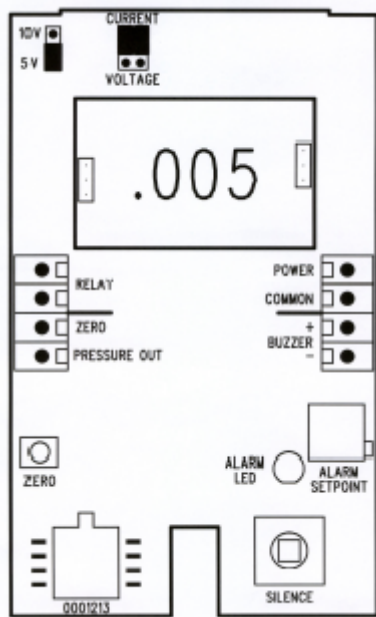
Buzzer Plate AA



Stainless Plate SP



PCB/WIRING INFORMATION



Terminal Function

POWER	From +24 Vac/dc of controller or power supply
COMMON	To GND or COMMON of controller
Pressure Out	To analog input of controller 4-20 mA or 0-5 Vdc or 0-10 Vdc
ZERO	To digital output of controller for remote zeroing
RELAY (2)	To digital input of controller or external annunciator
BUZZER +	To plus of remote buzzer
BUZZER -	To minus of remote buzzer

* Some models do not have all these features

Every effort has been taken in the production of this data sheet to ensure it's accuracy. Axio can not, however, accept responsibility for any damage, expense, injury, loss or consequential loss resulting from any errors or omissions. Axio has a policy of continuous improvement and reserves the right to change this specification without notice.