



Product Overview

The AX-RSV-MHx2 range of Iron Rotary shoe valves are designed for use in heating systems for mixing or diverting applications where a certain amount of leakage is desirable. The valves come complete with female BSP threaded connections upto 50mm and flanged from 50 to 150mm .
Note: these valves are not tight shut-off

Features

- Iron
- Good Control Characteristics
- Mixing or Diverting applications
- PN6

Product Specifications

Flow Type:		Mixing or Diverting
Fluid Temperature:		2 to 110 degC
Max Pressure Drop:		100kPa
Nominal Pressure:		PN6
Operating Pressure:		6 Bar
Leaky:	3 Port	1%
	4 port	1.5%
Rangeability:		100:1
Materials:	Body/Lid	Iron
	Gate	Brass
	Spindle	Brass to 25mm stainless steel from DN32
	Lever	ABS
	O-Rings	EPDM
Country of Origin:		Switzerland

Iron Rotary Shoe Valves

- AX-RSVMH32F20 3 Port 20mm BSP Screwed Rotary Shoe Valve Kvs 12.0
- AX-RSVMH32F25 3 Port 25mm BSP Screwed Rotary Shoe Valve Kvs 18.0
- AX-RSVMH32F32 3 Port 32mm BSP Screwed Rotary Shoe Valve Kvs 28.0
- AX-RSVMH32F40 3 Port 40mm BSP Screwed Rotary Shoe Valve Kvs 44.0
- AX-RSVMH32F50 3 Port 50mm BSP Screwed Rotary Shoe Valve Kvs 66.0
- AX-RSVMH32F65 3 Port 65mm Flanged Rotary Shoe Valve Kvs 100.0
- AX-RSVMH32F80 3 Port 80mm Flanged Rotary Shoe Valve Kvs 150.0
- AX-RSVMH32F100 3 Port 100mm Flanged Rotary Shoe Valve Kvs 225.0
- AX-RSVMH32F125 3 Port 125mm Flanged Rotary Shoe Valve Kvs 310.0
- AX-RSVMH32F150 3 Port 150mm Flanged Rotary Shoe Valve Kvs 420.0

- AX-RSVMH42F32 4 Port 32mm BSP Screwed Rotary Shoe Valve Kvs 28.0
- AX-RSVMH42F40 4 Port 40mm BSP Screwed Rotary Shoe Valve Kvs 44.0
- AX-RSVMH42F50 4 Port 50mm BSP Screwed Rotary Shoe Valve Kvs 66.0

Actuators- see relevant datasheet

- AX-DASM105SF132 5nm Proportional Damper actuator 24Vac c/w linkage kit
- AX-DASM115SF132 10nm Proportional Damper actuator 24Vac c/w linkage kit
- AX-DASM124SF132 15nm Proportional Damper actuator 24Vac c/w linkage kit

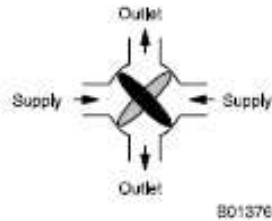
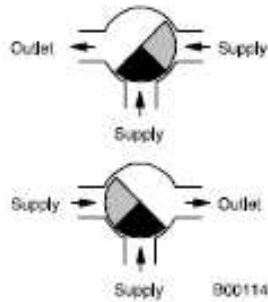


Operation

Turning the spindle will continuously open the warm-water port and equally close the cold-water port (heater return flow). This increases the temperature of the mixed water (in the heater flow) at an approximately constant flow rate.

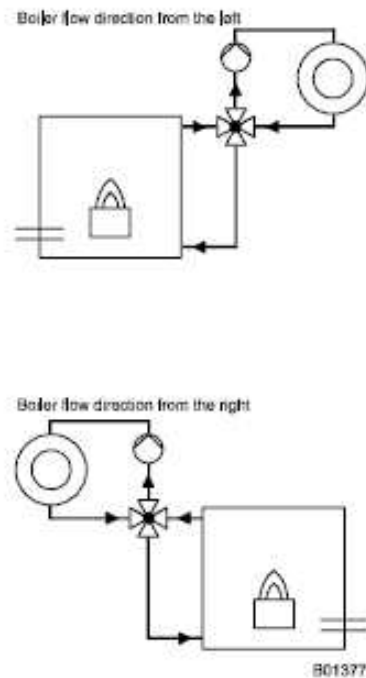
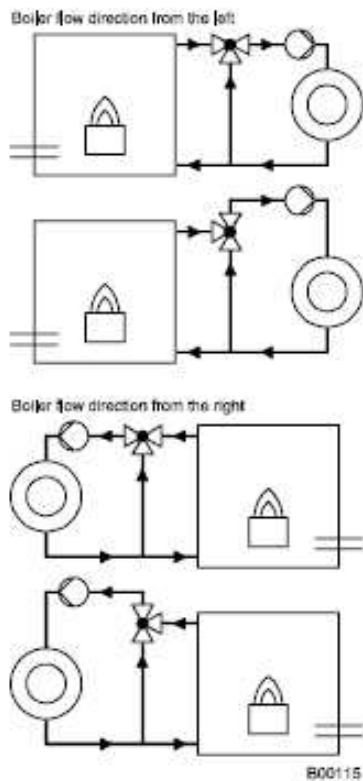
When the warm-water port is closed, a bypass to the boiler return is opened simultaneously in four-way versions in order to enable thermal circulation.

For automatic operation, a reversible drive with a rotating angle of 90° can be used. After the coupling has been released, the shoe can be adjusted manually.



Additional technical data

Body dark grey as per RAL 7021. Flanges as per VSM 18643 (DIN 2501). Threaded bore holes for console and motor drive mounting. Steel lever with plastic handle for manual adjustment. Scale marked on both sides for the following installation options: boiler flow direction from the left, boiler flow direction from the right.



Every effort has been taken in the production of this data sheet to ensure it's accuracy. Axio can not, however, accept responsibility for any damage, expense, injury, loss or consequential loss resulting from any errors or omissions. Axio has a policy of continuous improvement and reserves the right to change this specification without notice.

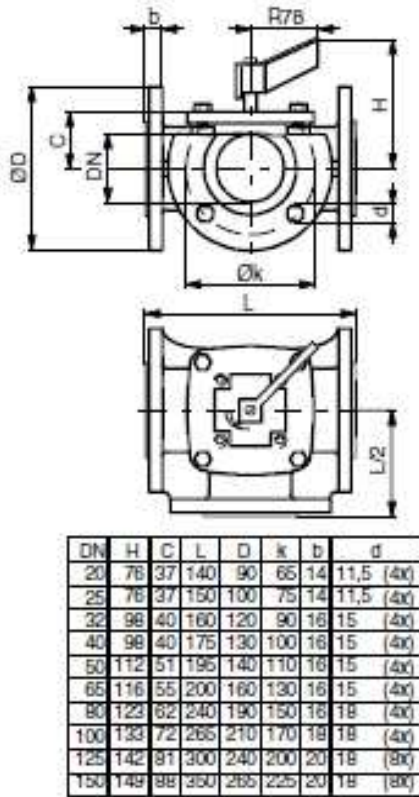
AX-RSVMHx2

Rotary Shoe Valves- Iron



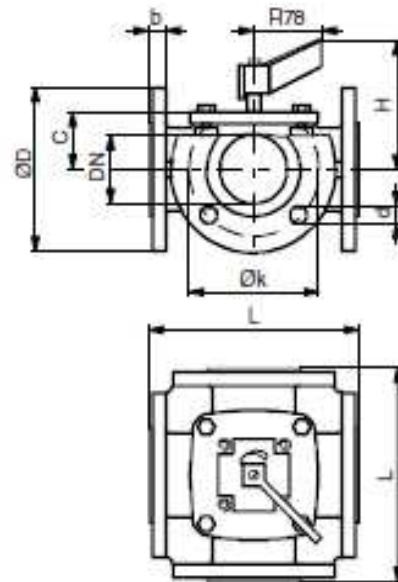
Dimension drawings 5M106

MH32F



M360072b

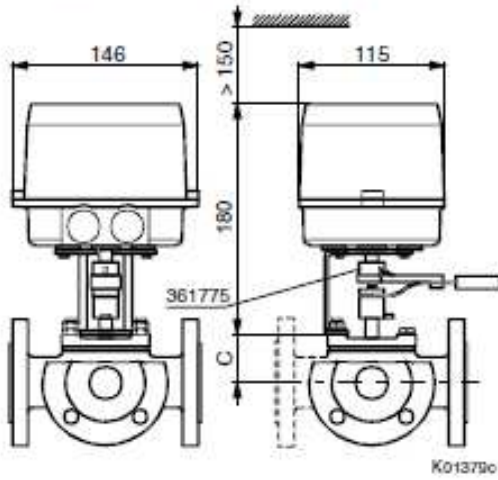
MH42F



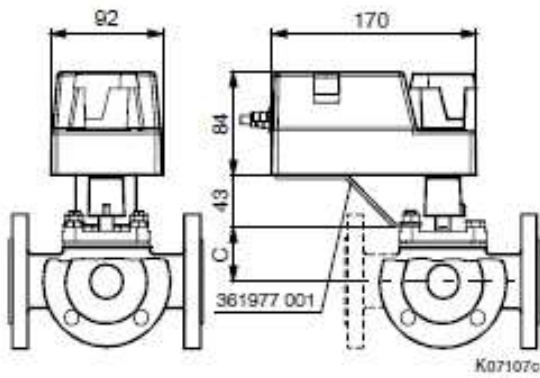
M360074b

Part Number	Ports	DN	Kvs	Delta P Max	Weight Kgs
AX-RSVMH32F20	3 Port	20mm	12.0	1.0	2.7
AX-RSVMH32F25	3 Port	25mm	18.0	1.0	3.5
AX-RSVMH32F32	3 Port	32mm	28.0	1.0	4.6
AX-RSVMH32F40	3 Port	40mm	44.0	1.0	5.6
AX-RSVMH32F50	3 Port	50mm	66.0	0.5	7.9
AX-RSVMH32F65	3 Port	65mm	100.0	0.5	9.2
AX-RSVMH32F80	3 Port	80mm	150.0	0.5	14.2
AX-RSVMH32F100	3 Port	100mm	225.0	0.5	19.0
AX-RSVMH32F125	3 Port	125mm	310.0	0.5	25.8
AX-RSVMH32F150	3 Port	150mm	420.0	0.5	35.5
AX-RSVMH42F32	4 Port	32mm	28.0	1.0	5.7
AX-RSVMH42F40	4 Port	40mm	44.0	1.0	7.1
AX-RSVMH42F50	4 Port	50mm	66.0	0.5	8.3

MH32F and MH42F with AR30 drive



MH32F and MH42F with ASM 124 drive



MH32F with ASM 105, 115 drive
DN20 to DN80

