

Overview

The AX-DLSP range of Digital LCD Setpoints feature a high-contrast blue backlit display with white text, and fits a standard single gang, flush-mount back box.

The unit has an internal temperature sensor and provides 0-10V temperature output and 2-10V setpoint output. A remote 2-10V setpoint is automatically selected when active.

The clear blue display indicates room temperature and setpoint when adjusting.



Features

- Temperature Output 0-10V (0 to 40 °C)
- Setpoint Output 2-10V (12 to 32 °C)
- Automatic selection of 2-10V remote setpoint
- On/off function
- Fits a standard single gang, flush-mount back box
- Two part plug-in connectors for easy installation
- Display auto-dims after 20 seconds

Specification

Power Supply	24Vac/dc 10%
Remote Setpoint Input	2-10Vdc (0.5mA maximum)
Setpoint Output	2-10Vdc (5mA maximum)
Setpoint Range	Off (0V), 12 to 32 °C (2-10V)
Temperature output	0-10Vdc (5mA maximum)
Temperature Range	0 to 40 °C
Plate Finish	Brushed Stainless Steel with vertical grain
Weight & Dimensions	250gms (approx) 86 x 86 x 35mm (approx)
Backbox Depth	45mm (Backbox not included)
Ambient Temperature Range	0°C to 60°C
Country of Origin	United Kingdom

Order Codes

AX-TE-DLSP-ASI Digital Setpoint and Temperature display with automatic setpoint input selection

ANNICOM Ltd
Unit 21 Highview, High Street, Bordon, Hampshire. GU35 0AX
Tel: +44 (0)1420 487788 Fax: +44 (0)1420 487799
Email: sales@annicom.com Website: www.annicom.com

Installation

The unit should be installed by a suitably qualified technician in conjunction with any guidelines for the equipment it is to be connected to and any local regulations. Field wiring should be installed to satisfy the requirements set out by the manufacturer of the equipment that the module is being connected to.

User controls

On / Off

The user can switch the unit on or off. When the unit is off the display is disabled and the setpoint outputs goes to 0V. This can be overridden by the remote setpoint.

Setpoint

Setpoint adjustable between 12 and 32°C. Setpoint displayed whilst being adjusted and reverts to display temperature after 5 seconds. Display shows rSP when remote setpoint active and no setpoint adjustments are allowed.

Automatic setpoint input (Remote Setpoint)

When the remote setpoint is active ($\geq 1V$) it is fed through to the setpoint output, unit displays rSP. The unit On/off setting is overridden when the remote setpoint is active. When setpoint displayed press INC and DEC together to show remote setpoint voltage

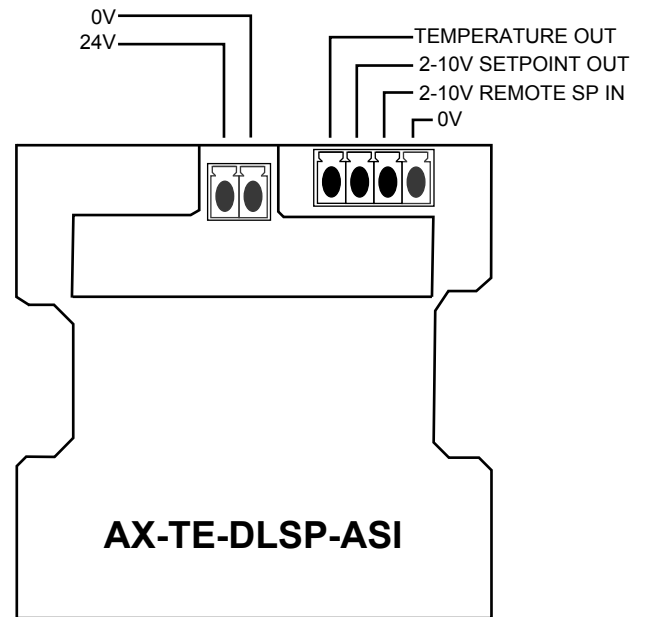
Removing front plate

To remove front plate carefully insert slotted screwdriver into slot on bottom edge of thermostat and lever forward making sure plate does not fall.

Datasheet Contents

Every effort has been taken in the production of this data sheet to ensure accuracy. Annicom do not accept responsibility for any damage, expense, injury, loss or consequential loss resulting from any errors or omissions. Annicom has a policy of continuous improvement and reserves the right to change this specification without notice.

Connections



Setpoint Output

