

# AX-TI-95-H10

Immersion Thermostat with Manual Reset Limiter and Failsafe

# AXIO



## Product Overview

The AX-TI-95-H10 Immersion Thermostat is a manual reset temperature limiting thermostat with failsafe where direct fitting is required by means of a pocket. These units provide a maximum temperature limiting function of water temperature detected along a 90mm probe.

## Features

- Manual reset
- 90mm Brass probe for fitting in a pocket
- 16A @ 250Vac Switch Rating
- Failsafe

## Product Specifications

Sensitive Element:		Brass probe
Stages:		1 stage
Control Range:		70 to 120°C
Switch Type:		SDPT Volt Free Contacts
Switch Rating:		16A @ 250Vac (3)
Ambient Range:	Housing	0 to 90°C
	Probe	-30 to 150°C
Housing:		ABS
Dimensions :		90 x 60 x 45mm
Protection:		IP40
Country of Origin:		Italy

## Order Codes

AX-TI-95-H10	Immersion Thermostat with Manual Reset Limiter and Failsafe
AX-TC-CP-90	Copper Immersion pocket for capillary, 1/2" BSP 90mm long

© Copyright Annicom. All Rights Reserved

**Annicom Ltd**

Unit 21, Highview, Bordon, Hampshire. GU35 0AX

Tel: +44 (0)1420 487788 Fax: +44 (0)1420 487799

Email: sales@annicom.com Website: www.annicom.com

# AX-TI-95-H10

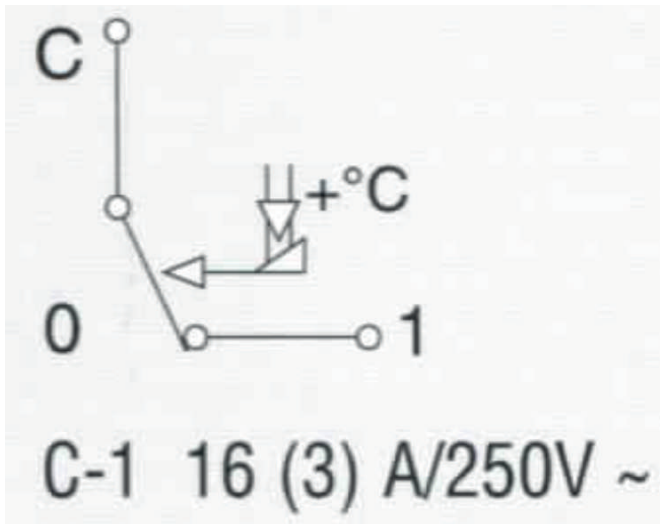
Immersion Thermostat with Manual Reset Limiter and Failsafe



## Installation

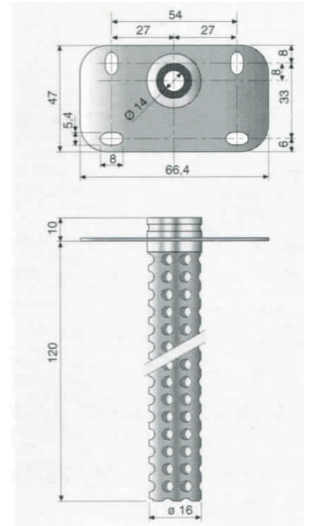
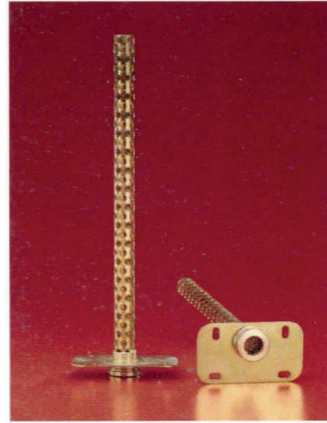
The AX-TI-95-H10 series of immersion thermostats should be installed by a suitably qualified technician in accordance with any guidelines for the device and the equipment which it is to be connected to. Field wiring should be installed to satisfy the requirements set out by the manufacturer of the equipment being connected to. As a general rule screened cable should be used to connect signal to a BMS or other controller.

## Connections



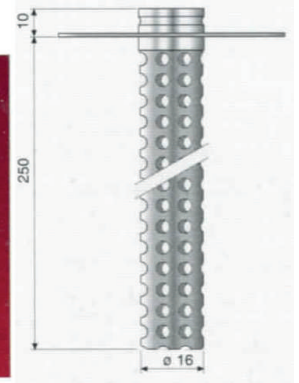
## AX-TC-VT-120

Fixing Flange 120mm



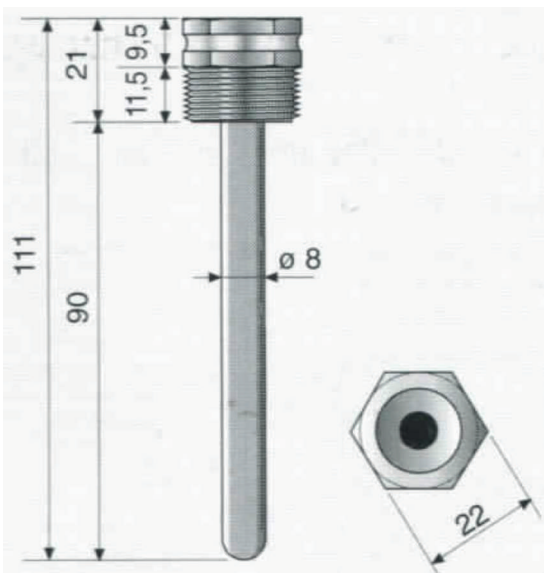
## AX-TC-VT-250

Fixing Flange 250mm



## AX-TC-CP-90

Copper Immersion Pocket 90mm



## Datasheet Contents

Every effort has been taken in the production of this data sheet to ensure accuracy. Axio do not accept responsibility for any damage, expense, injury, loss or consequential loss resulting from any errors or omissions. Axio has a policy of continuous improvement and reserves the right to change this specification without notice.