

AX-TI-9530/40

Immersion Double Thermostats with Setpoints

AXIO



Product Overview

The AX-TI-9530/40 Double Immersion Thermostats are a range of units for heating, cooling and air conditioning systems where direct fitting is required by means of a pocket. These units provide a double temperature adjustment output based on the average temperature detected along a 90mm probe. There are 2 temperature ranges. The TI-9530 range have two exposed setpoints, the TI-9540 range have one exposed and one concealed setpoint

Features

- Three temperature ranges
- 90mm Brass probe for fitting in a pocket
- 16A @ 250Vac Switch Rating
- Easy adjustment of setpoint

Product Specifications

Sensitive Element:		Brass probe
Stages:		1 stage
Control Range:	-60	0 to 60°C
	-90	0 to 90°C
	-120	0 to 120°C
Switch Type:		SDPT Volt Free Contacts
Switch Rating:	C1	16A @ 250Vac (3)
	C2	6A @ 250Vac (1)
Switching Differential:		2 to 5K
Ambient Range:	Housing	0 to 90°C
	Probe	-30 to 150°C
Housing:		ABS
Dimensions :		90 x 60 x 45mm
Protection:		IP40
Country of Origin:		Italy

Order Codes

AX-TI-9510-60	Immersion Thermostat 0 to 60°C
AX-TI-9510-90	Immersion Thermostat 0 to 90°C
AX-TI-9510-120	Immersion Thermostat 0 to 120°C
AX-TC-CP-90	Copper Immersion pocket for capillary, 1/2" BSP 90mm long
AX-TC-VT-120	120mm Fixing Flange
AX-TC-VT-250	250mm Fixing Flange

© Copyright Annicom. All Rights Reserved

Annicom Ltd

Unit 21, Highview, Bordon, Hampshire. GU35 0AX

Tel: +44 (0)1420 487788 Fax: +44 (0)1420 487799

Email: sales@annicom.com Website: www.annicom.com

AX-TI-9530/40

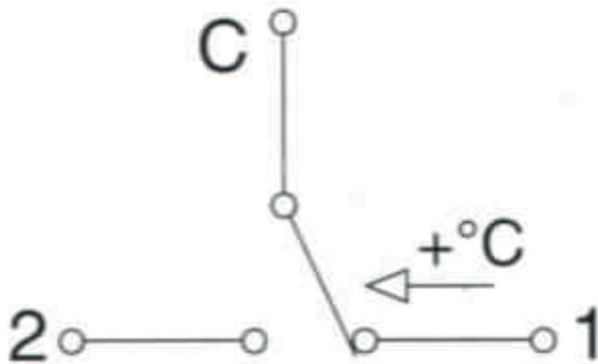
Immersion Double Thermostats with Setpoints



Installation

The AX-TI-9510 series of immersion thermostats should be installed by a suitably qualified technician in accordance with any guidelines for the device and the equipment which it is to be connected to. Field wiring should be installed to satisfy the requirements set out by the manufacturer of the equipment being connected to. As a general rule screened cable should be used to connect signal to a BMS or other controller.

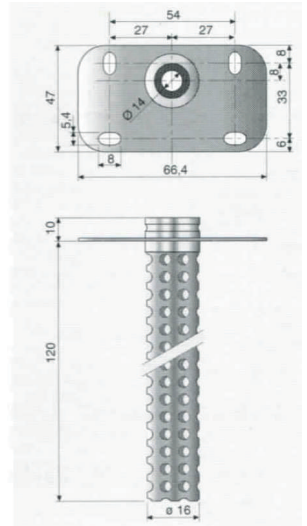
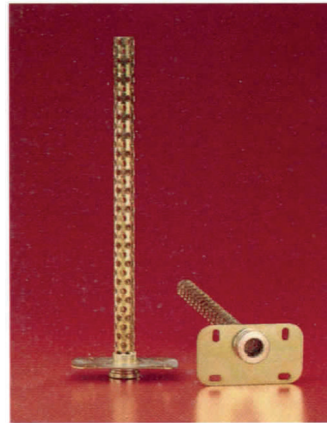
Connections



C-1 16 (3) A/250V ~
C-2 6 (1) A/250V~

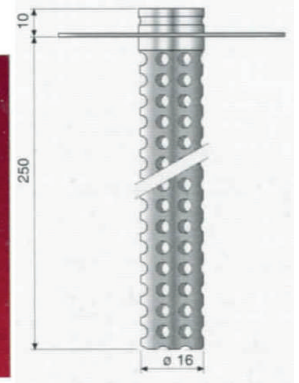
AX-TC-VT-120

Fixing Flange 120mm



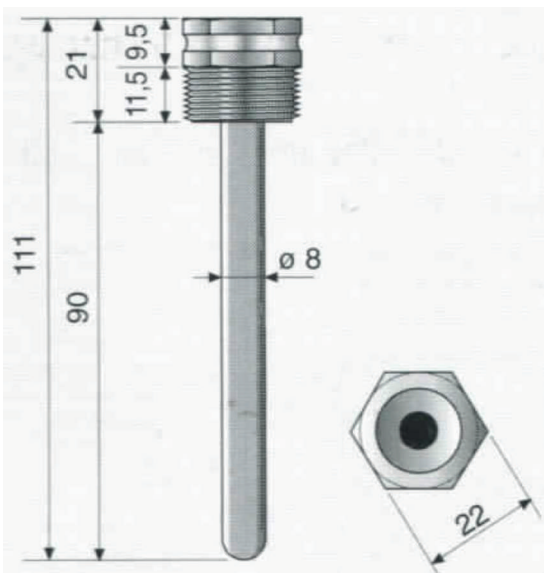
AX-TC-VT-250

Fixing Flange 250mm



AX-TC-CP-90

Copper Immersion Pocket 90mm



Datasheet Contents

Every effort has been taken in the production of this data sheet to ensure accuracy. Axio do not accept responsibility for any damage, expense, injury, loss or consequential loss resulting from any errors or omissions. Axio has a policy of continuous improvement and reserves the right to change this specification without notice.