



Product Overview

The AX-VB range of tight shut off Wafer Butterfly Valves are designed for continuous control of water, air and low pressure steam upto 110C or for use as a shut off valve . The valves come complete with PN6, 10 & 16 flanged connections from 25 to 200mm.

Features

- Cast Iron Body
- Nominal Pressure 16 bar
- Good Control Characteristics
- PN6 ,PN10 or PN16 flange connections

Product Specifications

Fluid Temperature:		0 to 110 degC
Operating Temperature:		-10 to 130 degC
Leakage Rate:		<0.0001% of Kvs
Angle of Rotation:		90deg
Pressure Class:		PN16
Kvs Values:		36m3/hr to 4000m3/hr
Rangeability:		100:1
Actuator Run Time:	ASF	90 seconds (spring return 15 secs)
	AR30W	120 seconds
	A44W	120 seconds
Materials:	Body	Cast Iron
	Spindle	3 way brass bearing bush
	Collar	Ethylene-propylene rubber
	Wafer	Stainless Steel
	Spindle	Stainless Steel sealed with 2 O’rings
Country of Origin:		Switzerland

Order Codes

Valves

AX-VB-025	Butterfly Valve DN25
AX-VB-032	Butterfly Valve DN32
AX-VB-040	Butterfly Valve DN40
AX-VB-050	Butterfly Valve DN50
AX-VB-065	Butterfly Valve DN65
AX-VB-080	Butterfly Valve DN80
AX-VB-100	Butterfly Valve DN100
AX-VB-125	Butterfly Valve DN125
AX-VB-150	Butterfly Valve DN150
AX-VB-200	Butterfly Valve DN200
AX-VB-2CF-PN6	2 counter flanges PN6
AX-VB-2CF-PN10	2 counter flanges PN10
AX-VB-2CF-PN16	2 counter flanges PN16

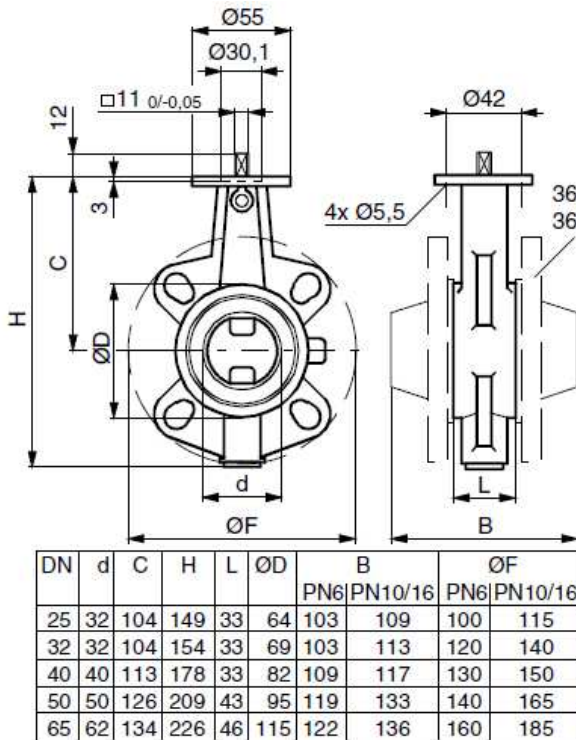
Actuators

AX-AR30W23F001	On/Off Raise/Lower Actuator 15nm 230Vac
AX-AR30W23F020	On/Off Raise/Lower Actuator 15nm 24Vac
AX-AR30W23SF020	Modulating Actuator 15nm 24Vac
AX-A44W2F001	On/Off Raise/Lower Actuator 30nm 230Vac
AX-A44W2F020	On/Off Raise/Lower Actuator 30nm 24Vac
AX-A44W2SF001	Modulating Actuator 30nm 24Vac
AX-ASF122F220	2/3point spring return actuator 18nm 230V
AX-ASF123F222	2/3point spring return actuator 18nm 24V
AX-ASF123SF122	Modulating spring return actuator 16nm 24V
AX-VB-0378108001	Assembly Kit DN25-65 for AR30
AX-VB-0378109001	Assembly Kit DN80-100 for AR30
AX-VB-0378110001	Assembly Kit DN25-65 for A44W
AX-VB-0378111001	Assembly Kit DN80-125 for A44W
AX-VB-0378112001	Assembly Kit DN150-200 for A44W
AX-VB-0378113001	Assembly Kit DN25-100 for ASF122

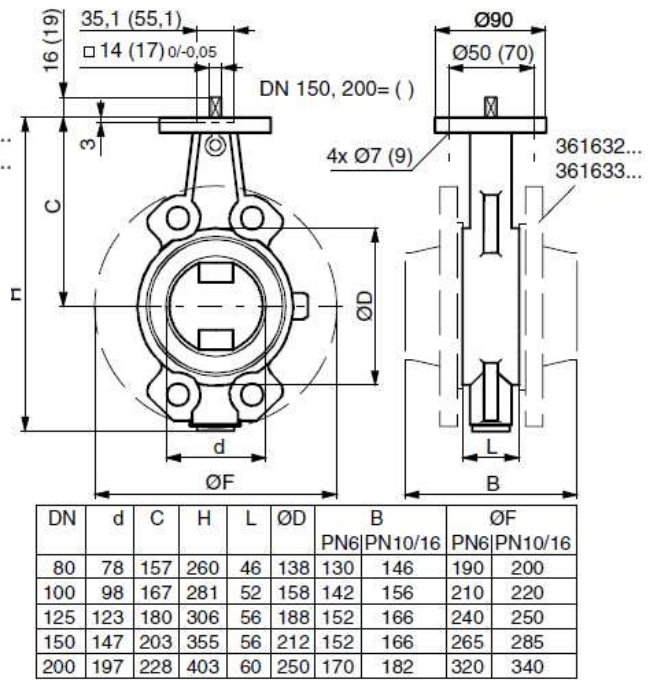
Code	Nominal width	Kvs m ³ /hr	Weight kgs	Delta P Max		
				ASF	AR30W	A44
AX-VB-025	DN25	36	1.00	10	10	10
AX-VB-032	DN32	40	1.15	10	10	10
AX-VB-040	DN40	50	2.75	10	10	16
AX-VB-050	DN50	85	3.05	10	10	16
AX-VB-065	DN65	215	4.05	7	7	16
AX-VB-080	DN80	420	4.30	4	4	10
AX-VB-100	DN100	800	4.85	2	2	10
AX-VB-125	DN125	1010	7.20			6
AX-VB-150	DN150	2100	9.50			5
AX-VB-200	DN200	4000	12.00			3

Dimensions

VB-025 to VB-65



VB-080 to VB-200

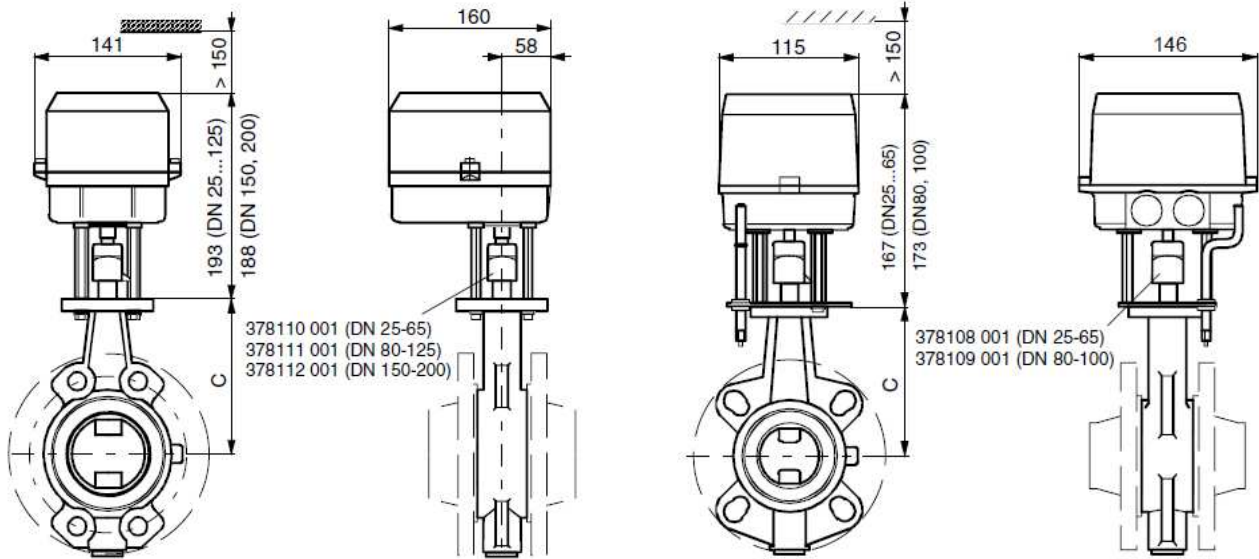


Every effort has been taken in the production of this data sheet to ensure it's accuracy. Axio can not, however, accept responsibility for any damage, expense, injury, loss or consequential loss resulting from any errors or omissions. Axio has a policy of continuous improvement and reserves the right to change this specification without notice.

Installation Examples

with drive A44

with drive AR30



DN 25...100 with drive ASF 122, ASF 123

