



Product overview

The AX-VS-PU range of servo operated solenoid valves for use in standard applications. The valves come as standard with Buna /NBR seals but there are the options of EPDM or Viton. The valves come in as Normally Closed but can also be set up as Normally Open, and are set up for either 230Vac, 24Vac or dc operation.

Features

- Variety of seals for different media
- Normally open and Normally closed options
- Includes MPM plug
- 24Vac or 230Vac as standard, other voltages available

Product specifications

Power Supply:		24Vac @50/60Hz +/- 10%	
		230Vac @50/60Hz +10 -15%	
		24Vdc +/-10%	
Operation:	NC	Normally Closed	
	NO	Normally Open	
Response Time:		50 milliseconds max.	
Maximum Viscosity:		50 Centistrokes	
Pressure Limit:		see table	
Max. Media Temp.:	NBR	80 deg C	Water, Air, Light Oils
	EPDM	130 deg C	Water, Hot Water, Steam, Acetone
	Viton	160 deg C	Diesel Oil, Hot Gases, Benzene, Naptha
Ambient Temp. Range:		-20 to +60°C	
Materials:	Body/ Cover	Brass	
	Moving parts	Stainless steel	
Protection:		IP65	
Connection:		DN (BSP) female threads	
Electrical Connection:		Hirschmann style connector	
Conformity:		CE marked	
Country of Origin:	Valve	Taiwan	
	Coil	Germany	

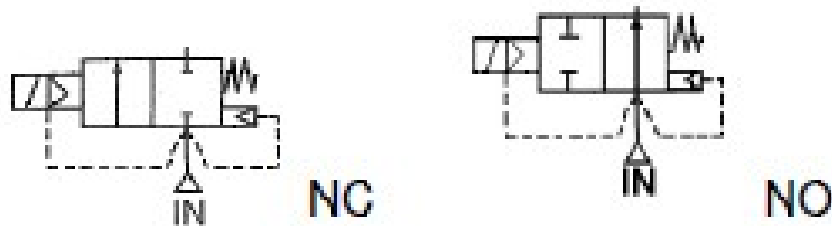
Order Codes - AX-VS + part number

Ø Port BSP	Ø Orifice (mm)	Flow Kv Ltr/ min	Coil	Pressure Rating (bar) ΔP		Max Working	Seals	Max Media Temp. °C	Part Number
				Min	Max				
3/8	13	40.0	22003	0.5	10	15	NBR FKM EPDM	80 130 160	PU22503 + voltage PU22503V + voltage PU22503E + voltage
1/2	13	40.0	22003	0.5	10	15	NBR FKM EPDM	80 130 160	PU22504A + voltage PU22504AV + voltage PU22504AE + voltage
3/4	25	165.0	22003	0.5	10	15	NBR FKM EPDM	80 130 160	PU22506A + voltage PU22506AV + voltage PU22506AE + voltage
1	25	165.0	22003	0.5	10	15	NBR FKM EPDM	80 130 160	PU22508A + voltage PU22508AV + voltage PU22508AE + voltage
1 1/4	38	367	22003	0.5	10	15	NBR FKM EPDM	80 130 160	PU22512A + voltage PU22512AV + voltage PU22512AE + voltage
1 1/2	38	500	22003	0.5	10	15	NBR FKM EPDM	80 130 160	PU22514A + voltage PU22514AV + voltage PU22514AE + voltage
2	50	600	22003	0.5	10	15	NBR FKM EPDM	80 130 160	PU22520A + voltage PU22520AV + voltage PU22520AE + voltage
2 1/2	65	1050	16W	0.3	10	15	NBR FKM EPDM	80 120 120	PU22524A + voltage PU22524AV + voltage PU22524AE + voltage
3	75	1380	16W	0.3	10	15	NBR FKM EPDM	80 120 120	PU22528A + voltage PU22528AV + voltage PU22528AE + voltage

As standard all Part numbers are Normally closed, if you require Normally Open add- NO before PU in the part number.

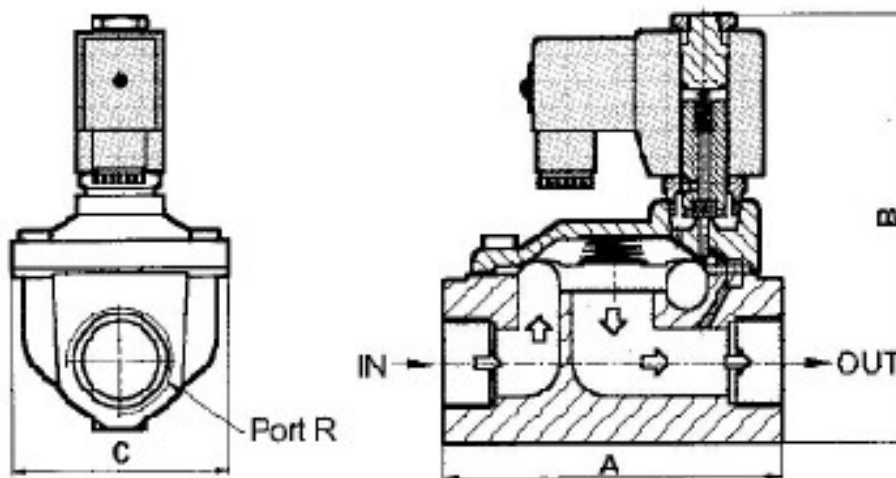
Electrical Data

Voltage (-10% + 10%) Continuous duty 100%	Coil	Power Consumption		Insulation class	Enclosure	Electrical connections
		Inrush	Holding			
~ 24 - 48 - 110 - 240 - 380 (50 or 60 Hz)	22003	23VA	17VA	H 180°C	IP 65 with connector	3 spades DIN 43650A DIN 40050 VDE 0110
= 12 - 24 - 48 (DC)		15 Watts				
~ 24 - 48 - 110 - 220 - 380 (50 or 60 Hz)	16W	25VA	15VA	F 155°C		
= 12 - 24 - 48 (DC)		16 Watts				



Overall Dimensions

Port	3/8 1/2	3/4 1	1 1/4 1 1/2	2	2 1/2	3
A	66.5	96	131	160	243	250
B	106.5	126.5	145.5	160.5	178	188
C	48	70	96	112	184	184
Kg	0.725	1.565	2.56	3.9	9.4	11.4



Optional Items

IP65 Coil & Connector PG9 – DIN 43650 A
 ATEX 22003EX Coil: ATEX EExmIIT4 II 2G & 2D IP65 T130°C
 Explosion Proof Enclosure ATEX II 2 G/D EExdIICT6 IP65 85°C
 NPT Thread (Not available 2 1/2 + 3")
 Manual Over ride custom made option

Every effort has been taken in the production of this data sheet to ensure accuracy. Axio do not accept responsibility for any damage, expense, injury, loss or consequential loss resulting from any errors or omissions. Axio has a policy of continuous improvement and reserves the right to change this specification without notice.