

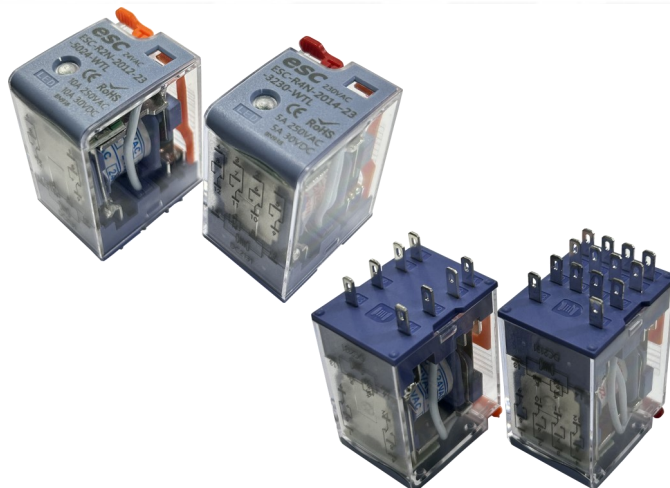
# ESC-RN Series Relay

## Industrial Plug In Relays 2 Pole & 4 Pole



### Product Overview

The ESC-RN series comprise a range of high quality 2 pole & 4 pole industry standard relay footprint mounted in DIN Rail base and clip. Variants are available with 24Vdc, 24Vac and 230Vac coils. Other versions are available on special request. The DIN Rail base is designed to be a snap fit onto TS35 section DIN Rail.



### Product Features

- Industry standard footprint, now with terminal.
- Available in 24Vac, 24Vdc & 230Vac (2PDT & 4PDT).
- Both range of AC and DC coil options.
- Test Lever Included.
- High Quality Rising clamp terminals with captive screws.
- Built In LED with Relay.

### Product Overview

Coil Specification	24Vac	230Vac	24Vdc
Rated Coil Power:	1.2VA	1.2VA	0.9 W
Operating Voltage:	≤19.2 Vac	≤176 Vac	≤18 Vdc
Release Voltage:	≥7.2 Vac	≥66.0Vac	≥2.40 Vdc
Maximum Voltage:	26.4 Vac	242 Vac	26.4 Vdc
Coil Resistance:	180 Ω	14500 Ω	640 Ω

Contact Specification	Description
Resistance:	≤50mΩ
Material:	Silver Tin Oxide
Resistive Load:	10A @220Vac/24Vdc (2 Pole 2PDT), 5A @220Vac/30Vdc (4 Pole 4PDT)
Max. Switching Voltage:	250Vac / 30Vdc
Max. Switching Current:	10Amp (2Pole 2PDT), 5Amp (4Pole 4PDT)
Max. Switching Power:	1750VA / 210W
Insulation Resistance:	≥500mΩ
Ambient Temperature:	-40°C to 70°C
Weight:	DC=32.9 Grams, AC=30.9 Grams
Conformity:	IP40
County Of Origin:	UK

### Order Codes

#### Part Number

ESC-R2N-2012-23-5024-WTL  
ESC-R2N-2012-23-5230-WTL  
ESC-R2N-2012-23-1024-WTL  
ESC-R4N-2014-23-3024-WTL  
ESC-R4N-2014-23-3230-WTL  
ESC-R4N-2014-23-1024-WTL

#### Description

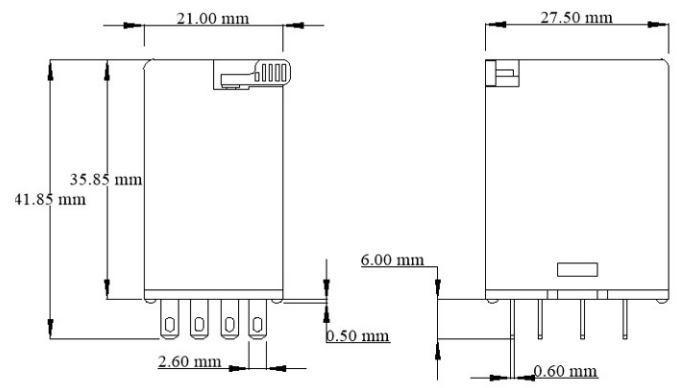
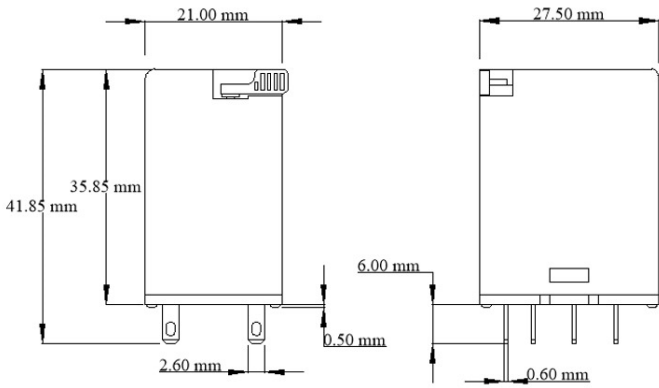
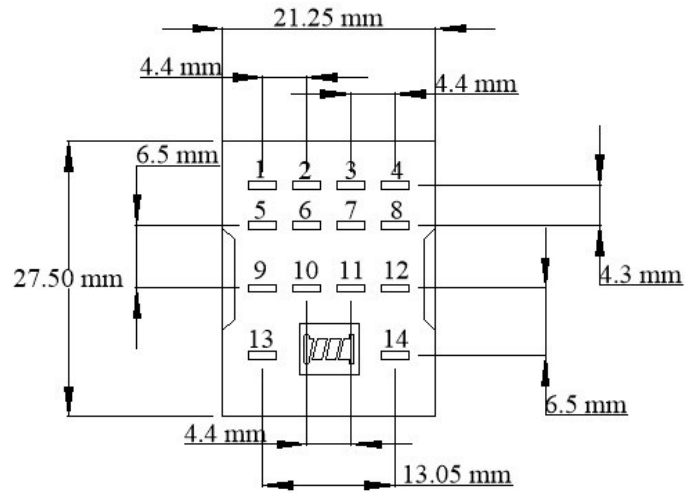
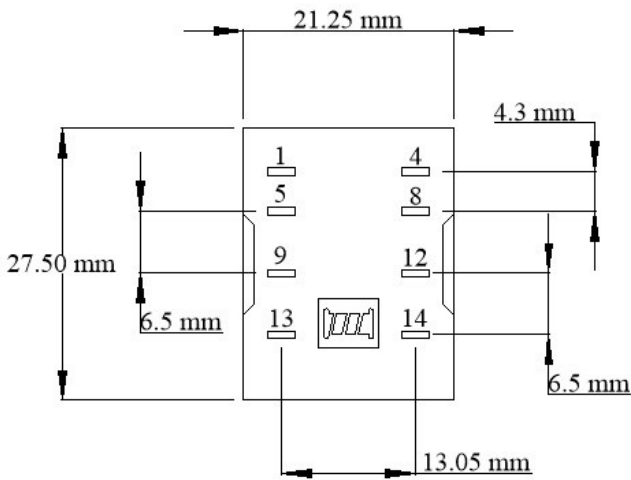
Relay 2PDT Plug In 24Vac Coil, 10A, Test Lever and LED  
Relay 2PDT Plug In 230Vac Coil, 10A, Test Lever and LED  
Relay 2PDT Plug In 24Vdc Coil, 10A, Test Lever and LED  
Relay 4PDT, Plug In 24Vac Coil, 5A, Test Lever and LED  
Relay 4PDT, Plug In 230Vac Coil, 5A, Test Lever and LED  
Relay 4PDT, Plug In 24Vdc Coil, 5A, Test Lever and LED

# ESC-RN Series Relay

Industrial Plug In Relays 2 Pole & 4 Pole



## Dimensions



## Installation

The unit should be installed by a suitably qualified technician in accordance with prevailing regulations and any guidelines for the equipment to which it is to be connected.

Maintain a minimum distance of 26 mm between the current sensor and other magnetic devices like contactors, relays, transformers etc.

## Typical Wiring

As a general rule screened cable should be used to connect signal to a BMS or other controller. The shield should be connected to the earth at one end only.

## Datasheet Contents

Every effort has been taken in the production of this data sheet to ensure accuracy. Annicom do not accept responsibility for any damage, expense, injury, loss or consequential loss resulting from any errors or omissions. Annicom has a policy of continuous improvement and reserves the right to change this specification without notice.

## Wiring

